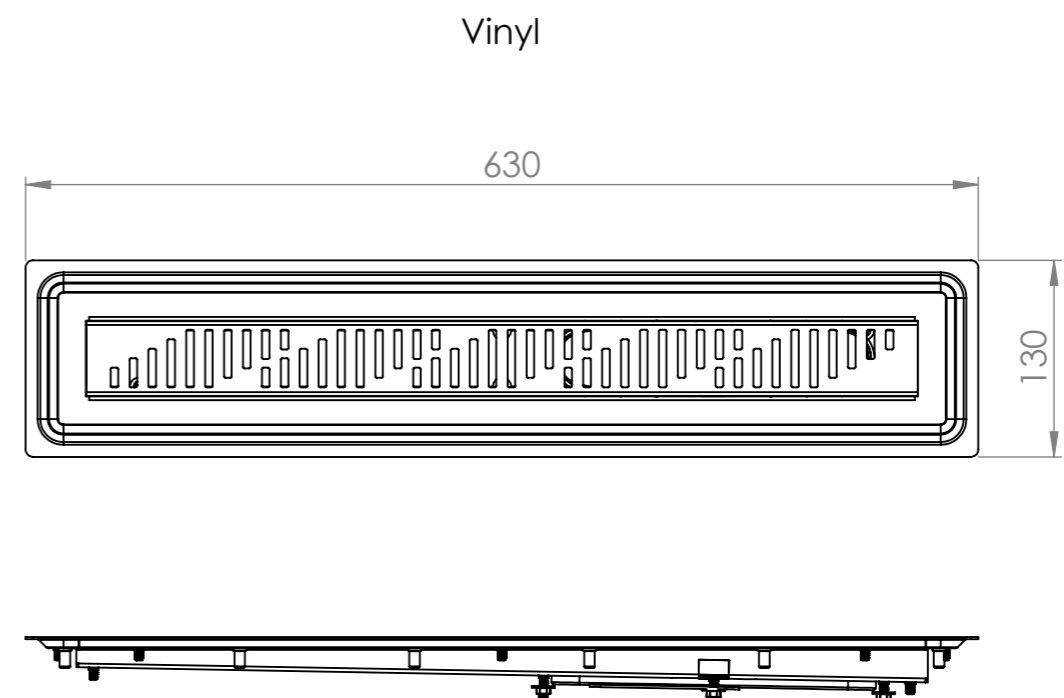
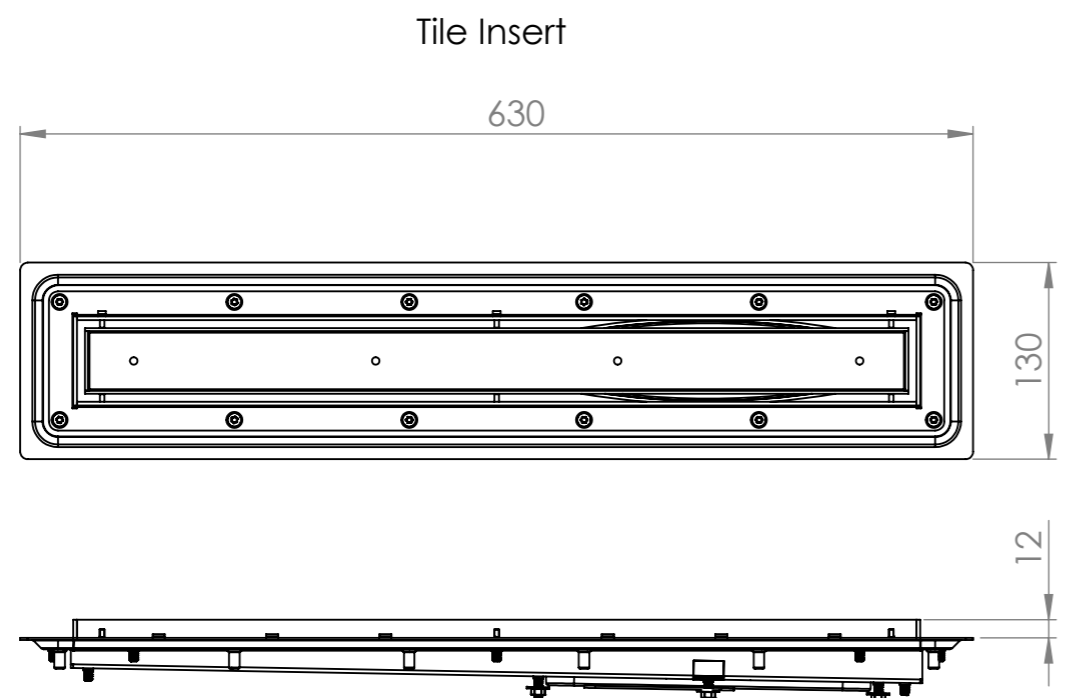
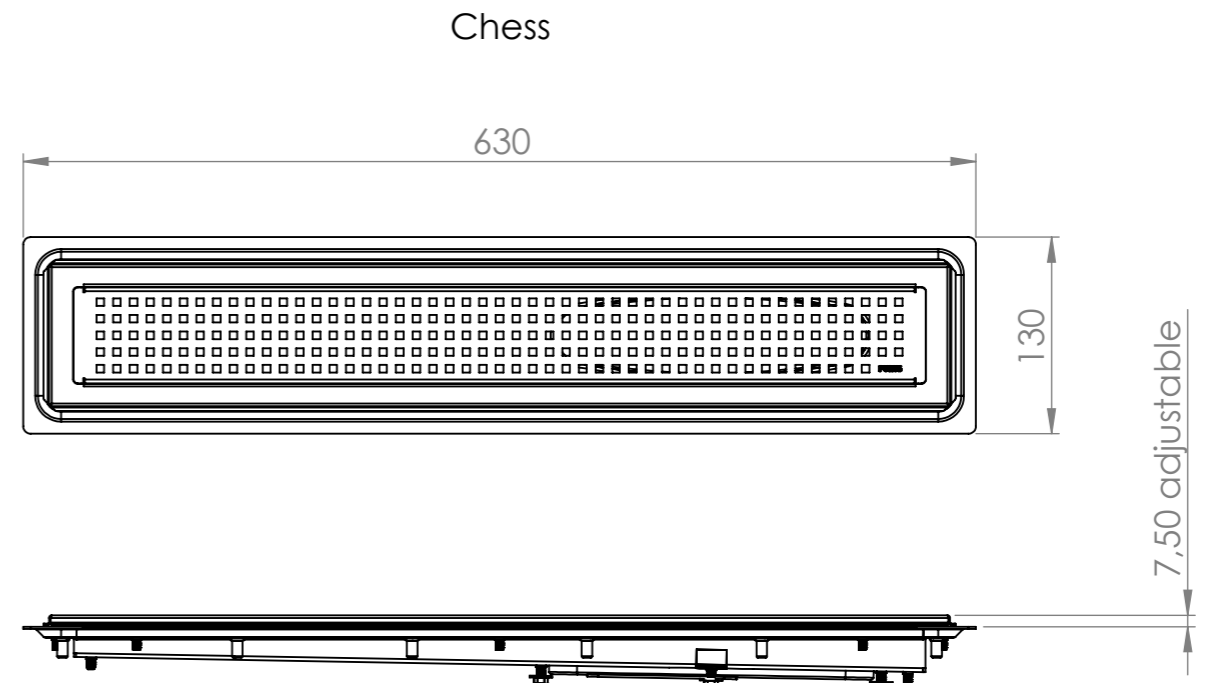
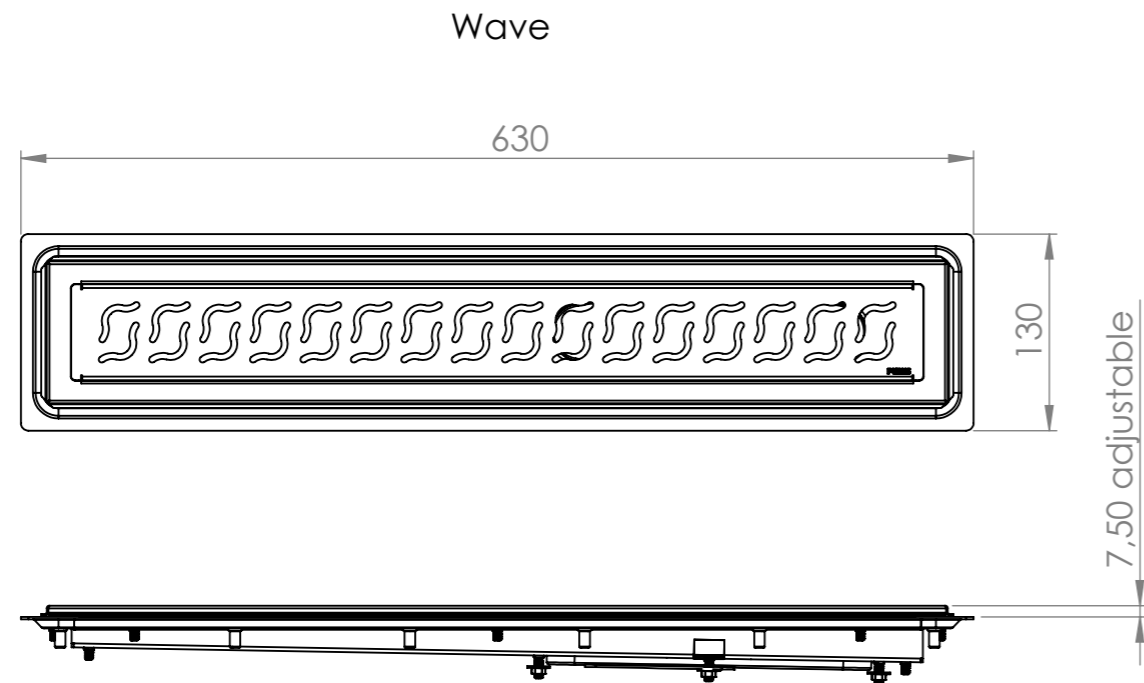


This document must not be copied without our written permission, and the contents thereof must not be imported to a third party nor be used for any unauthorized purpose. Contravention will be prosecuted. Purus AB



Denna handling får ej utan vårt medgivande kopieras. Den får ej heller delgivas annan eller ejlest obehörigen användas. Överträdelse härav beivras med stöd av gällande lag. Purus AB

Annotation		-		A3		This drawing replace		Replaced by		Date	
Purus		Scale		Page		General tolerance. ISO 2768-1		Weight (gram)		Volume (cm3)	
Purus AB Södra Dragongatan 15 SE-271 39 YSTAD, SWEDEN Ph. +46 104144900 Fax +46 104144996 www.purus.se		1:5		1(1)		-		-		-	
Material		Sammanställning		Surface treatment		-		Designer		Created date	
Name		Purus Project 600mm drains		Article no		-		HN		20131118	
										Edition	
										1	