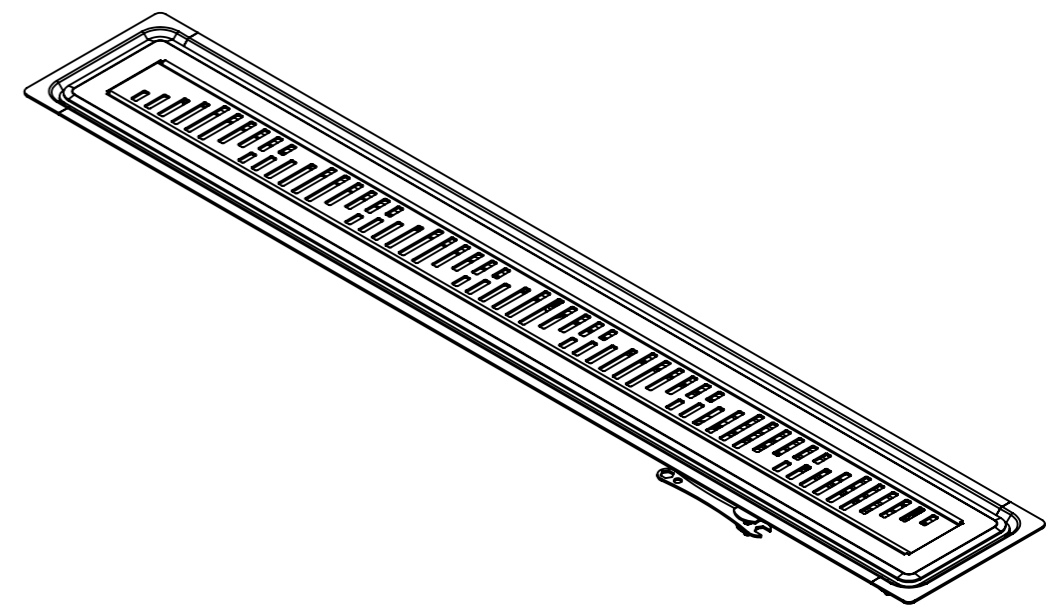
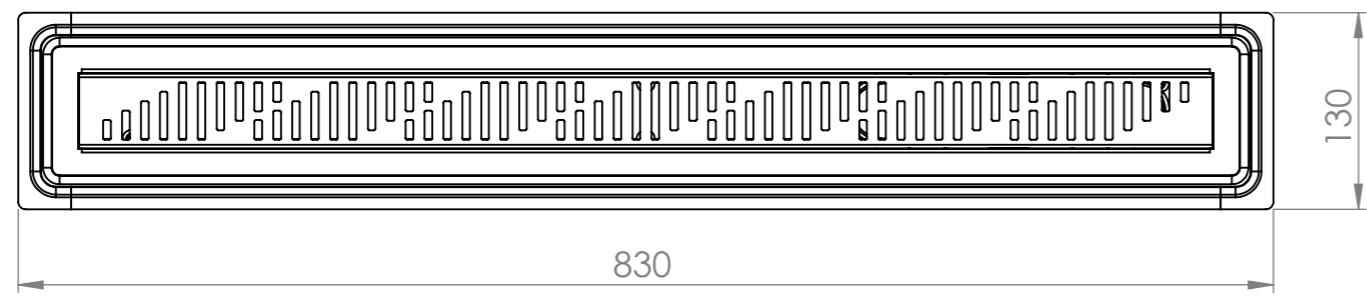
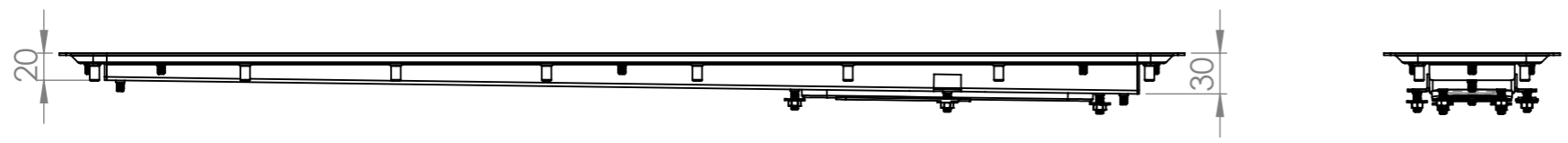

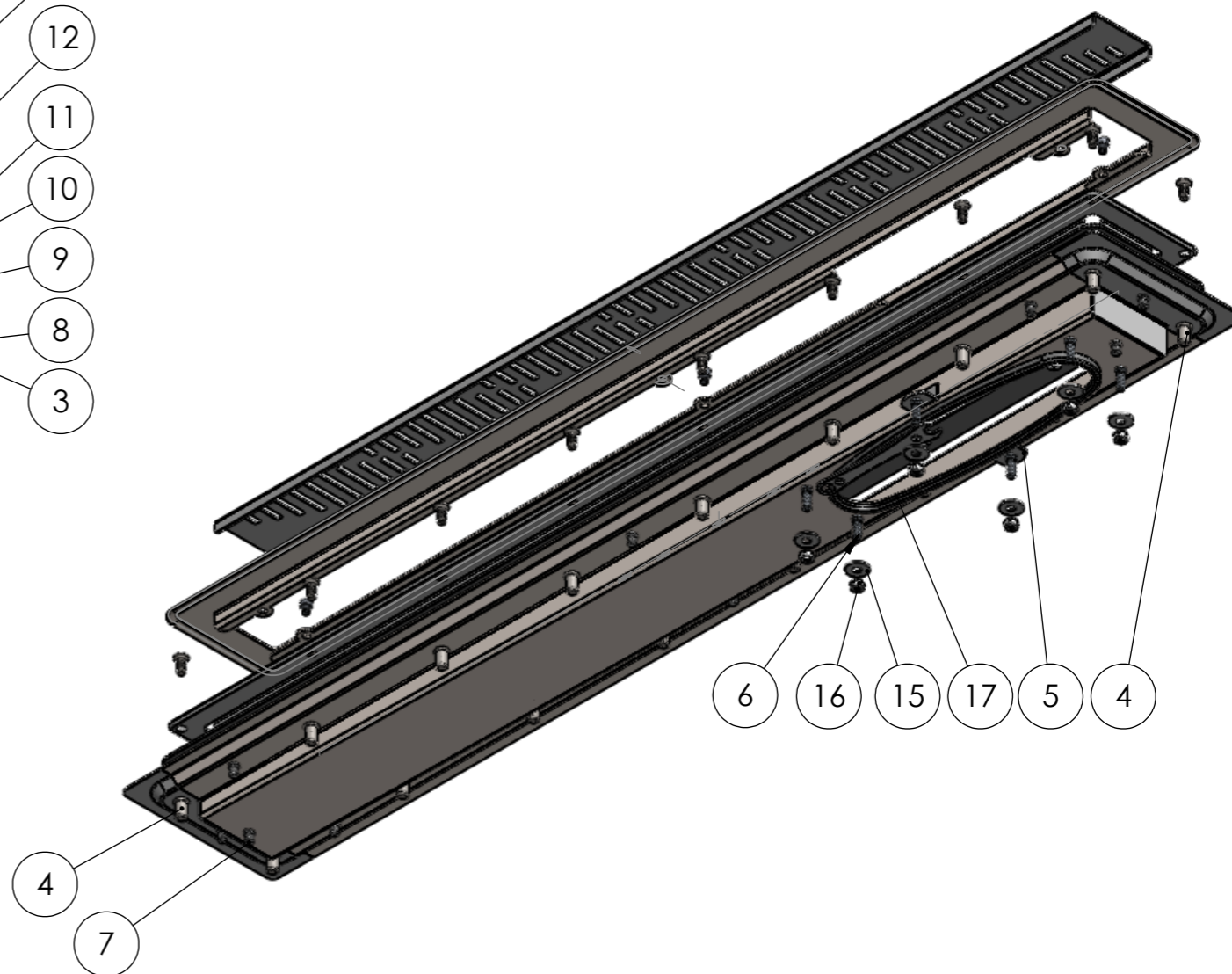
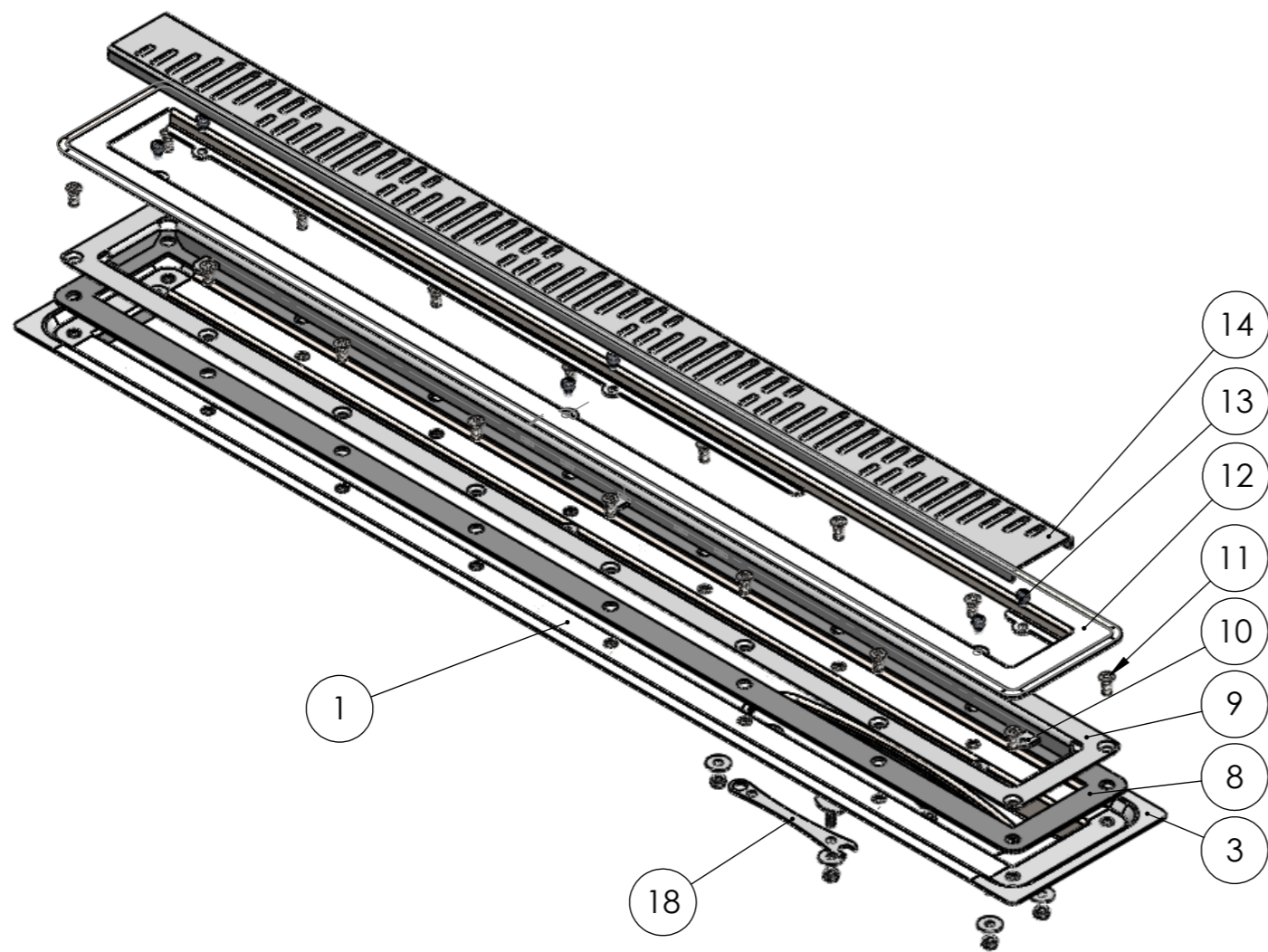


This document must not be copied without our written permission, and the contents thereof must not be imported to a third party nor be used for any unauthorized purpose. Contravention will be prosecuted. Purus AB



Denna handling får ej utan vårt medgivande kopieras. Den får ej heller delgivas annan eller ejlest obehörigen användas. Överträdelse härav beivras med stöd av gällande lag. Purus AB

Project no	Annotation	Scale		Page	Surface treatment	This drawing replace		Date	
		1:4		1(2)	A3				
					Material	Weight (gram)	Volume (cm3)	Approved by	Date
Purus AB Södra Dragongatan 15 SE 271 39 Ystad, SWEDEN Ph. +46 10 4144 900 Fax +46 10 4144 996 www.purus.se					RSK no			Designer	Created date
Name					Article no			Edition	
Purusline Vinyl 800					854180			12-06-17	



ITEM NO.	PART NUMBER	DESCRIPTION	QTY.
1	854181 (800)	Underdel	1
2	854151_vis	Gavel 20	1
3	854152_vis	Gavel 30	1
4	601619	Pop-nut Unigrip M5	16
5	840008	Fästöra svetsbult brunn	2
6	600086	Svetsbult M5x15 Rostfri	6
7	602102	Svetsbult M5x8	10
8	854182 (800)	Packning	1
9	854183 (800)	Klämram	1
10	854154	Skruvbleck klämram	6
11	601781	MFT - torx A4 M5x12	16
12	854184 (800)	Silram	1
13	602149	M4 Silram	6
14	854185 (800)	Sil Twist	1
15	830008	Planbricka M5	6
16	600321	Mutter M5	6
17	HA07173	Packing Brunn	1
18	830031	Nyckel M5 Mutter	1

Project no	Annotation	Scale	Page	Surface treatment	This drawing replace	Date
		1:4	2(2)	A3		
PURUS		Material	Weight (gram)	Volume (cm3)	Approved by	Date
Purus AB Södra Dragongatan 15 SE 271 39 Ystad, SWEDEN Ph. +46 10 4144 900 Fax +46 10 4144 996 www.purus.se		Name	RSK no	Designer	Created date	
		Purusline Vinyl 800		EP	12-05-19	
					Article no	Edition
					854180	