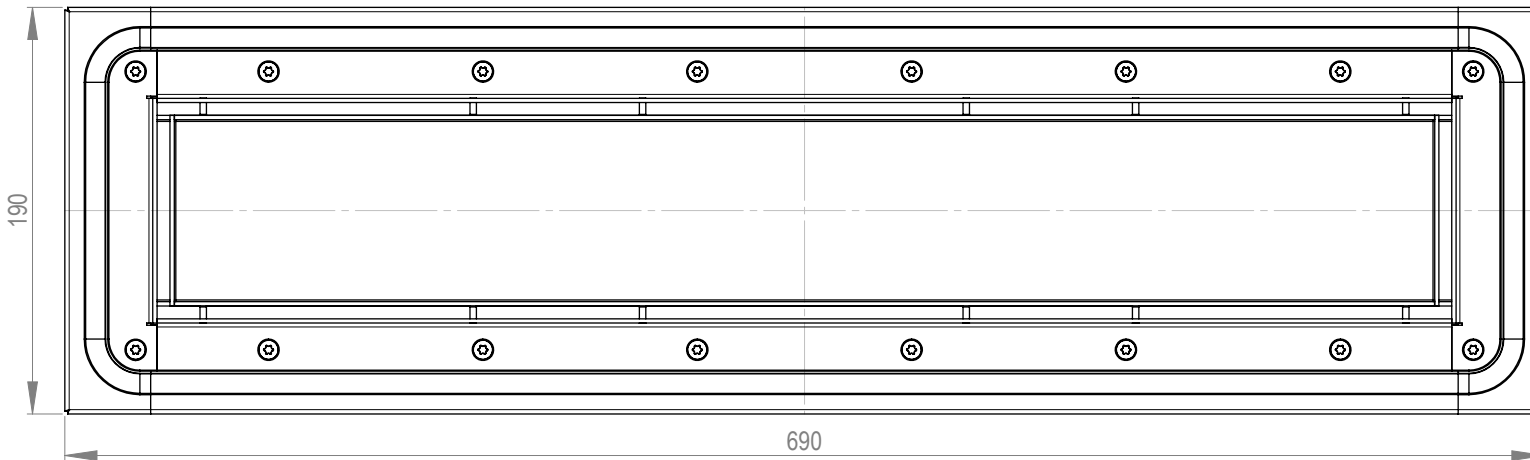
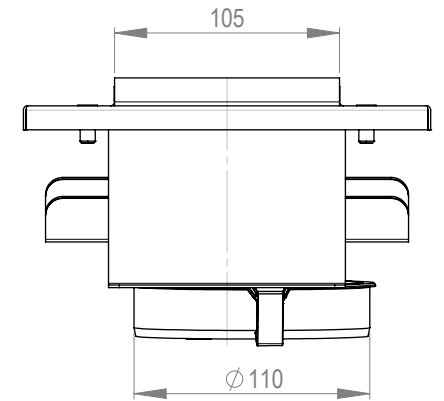
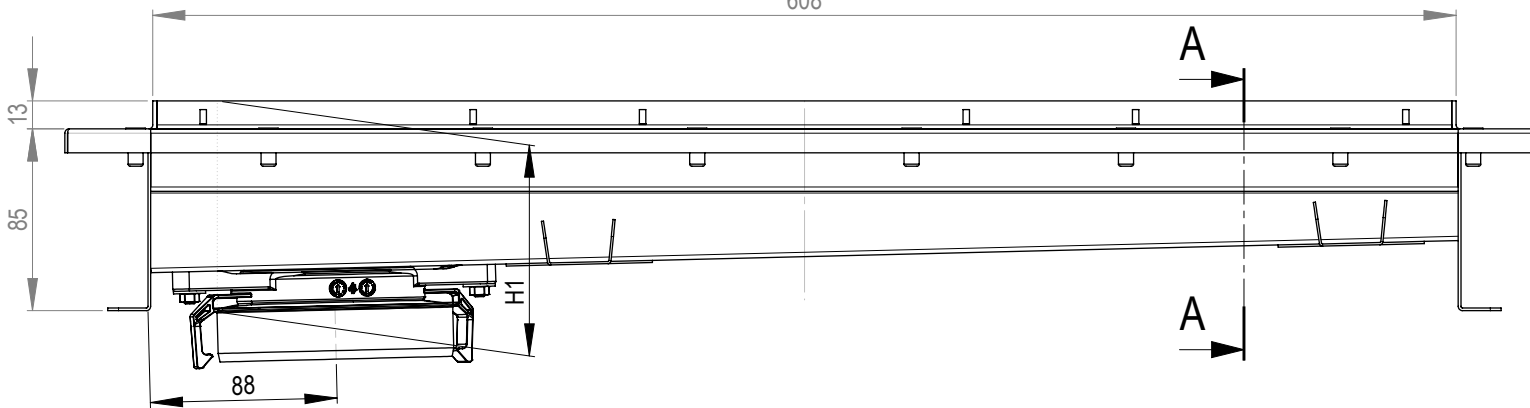
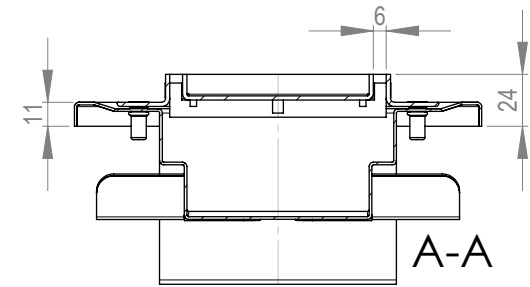
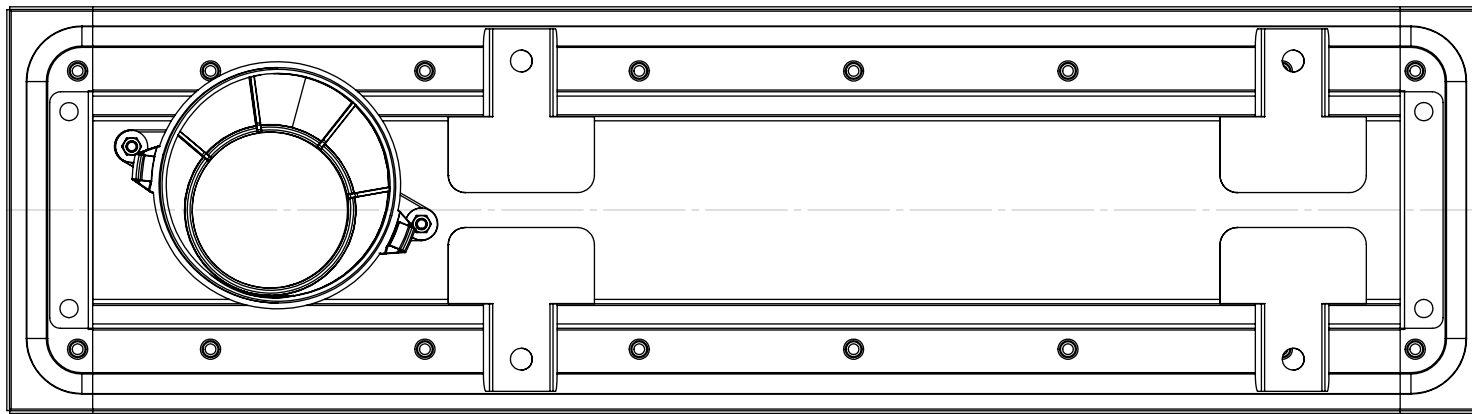


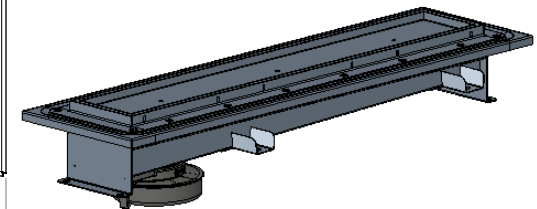
This document must not be copied without our written permission, and the contents thereof must not be imported to a third party nor be used for any unauthorized purpose. Contravention will be prosecuted. Purus AB



Model 600 -- 1000: H1 = 99

Model 1100 -- 1500: H1 = 104

Model 2000 -- 2500: H1 = 109



Den här handling får ej utan vårt medgivande kopieras. Den får ej heller delgivas annan eller ejlest oerhörigen användas. Överträdelse härav beivras med stöd av gällande lag. Purus AB

| | | | | | | | | |
|---|-------------------|----------------------|-------------------------------|---------------|---------------------------|-------------|------|---------|
| Annotation | A3 | This drawing replace | Replaced by | Date | | | | |
| | | - | - | - | | | | |
| <p>Purus AB Södra Dragongatan 15 SE-271 39 YSTAD, SWEDEN Ph. +46 104144900 Fax +46 104144996 www.purus.se</p> | Scale | Page | General tolerance: ISO 2768-1 | Weight (gram) | Volume (cm ³) | Approved by | Date | |
| | 1:2.5 | 1(1) | | - | - | - | - | |
| Material | Surface treatment | | Designer | Created date | | | | |
| | - | | SWS | 2014-01-15 | | | | |
| Channel 100 for Tile Clamping Frame, End Outlet, Tile Insert, All Lengths | | | | | | | | Edition |
| | | | | | | | | 1 |