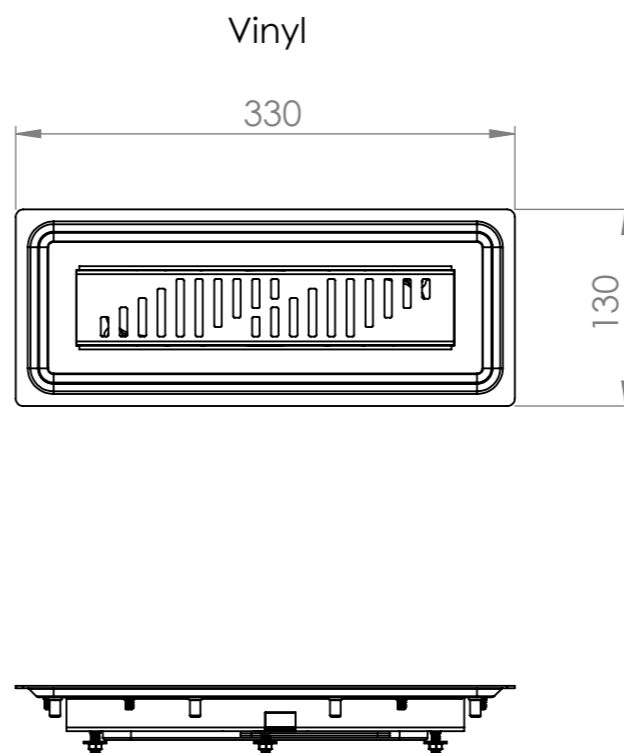
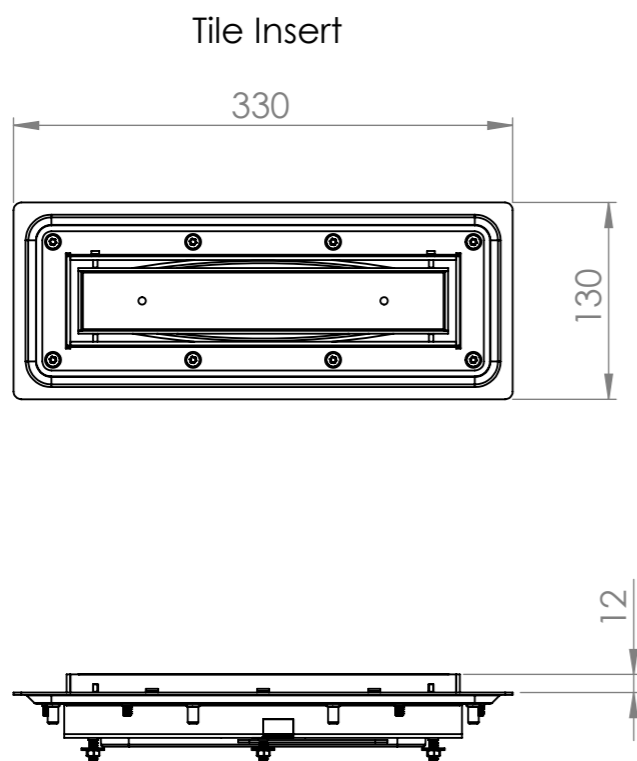
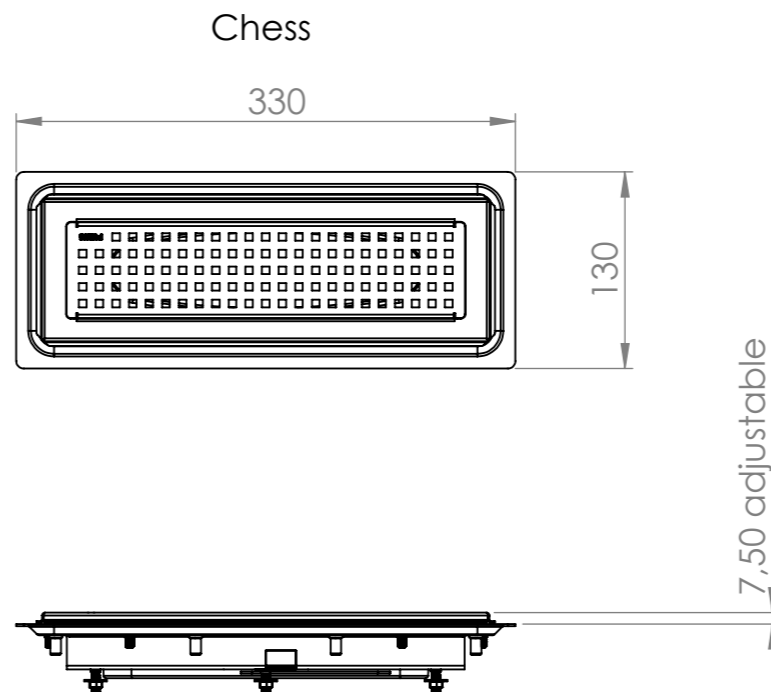
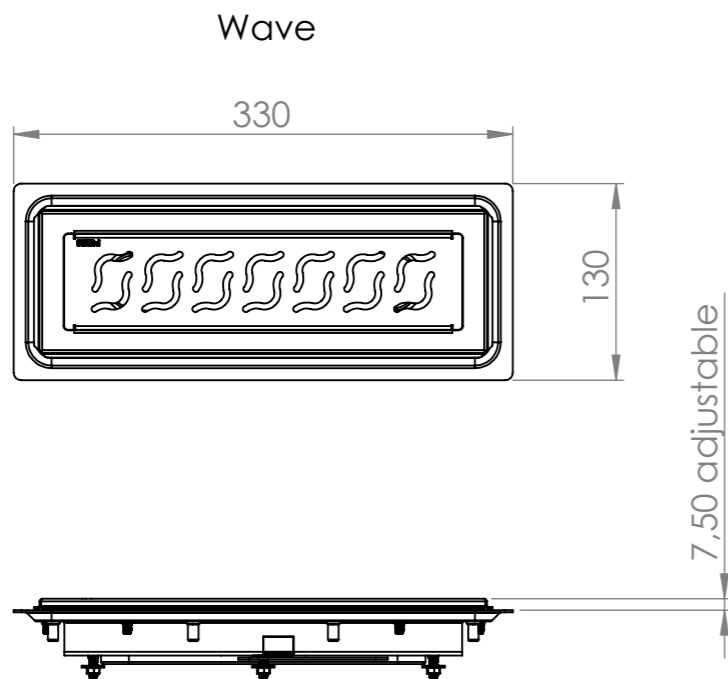


This document must not be copied without our written permission, and the contents thereof must not be imported to a third party nor be used for any unauthorized purpose. Contravention will be prosecuted. Purus AB



Denna handling får ej utan vårt medgivande kopieras. Den får ej heller delgivas annan eller ejlest obehörigen användas. Överträdelse härav beivras med stöd av gällande lag. Purus AB

Annotation		-		A3		This drawing replace		Replaced by		Date	
Purus AB		Södra Dragongatan 15		SE-271 39 YSTAD, SWEDEN		Ph. +46 104144900 Fax +46 104144996		www.purus.se			
Scale		1:5		Page		1(1)		General tolerance. ISO 2768-1		-	
Material		Sammanställning		Surface treatment		-		Weight (gram)		-	
Name		Purus Project 300mm drains		Article no				Approved by		-	
Designer		HN		Created date		2013-11-28		Volume (cm3)		-	
Edition		1									