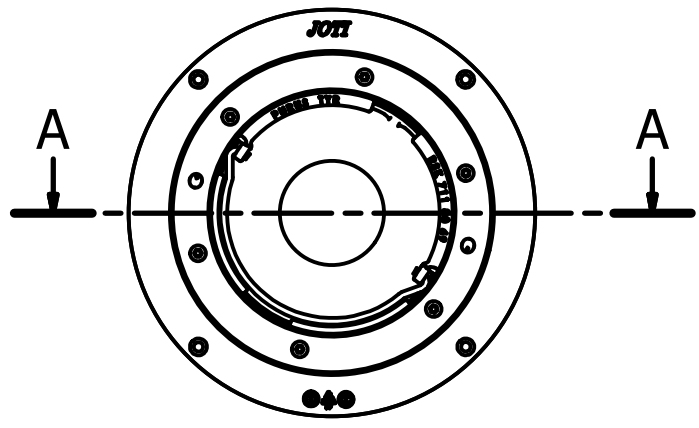
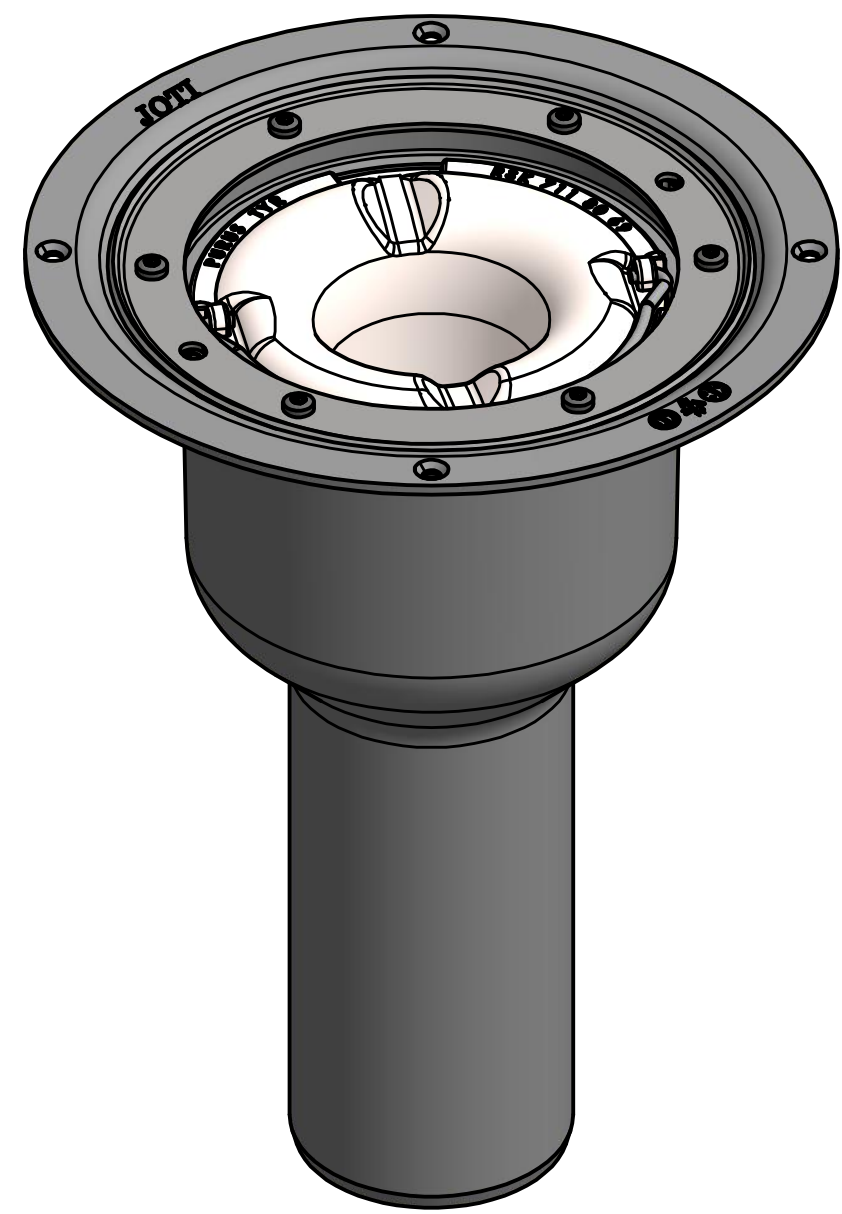
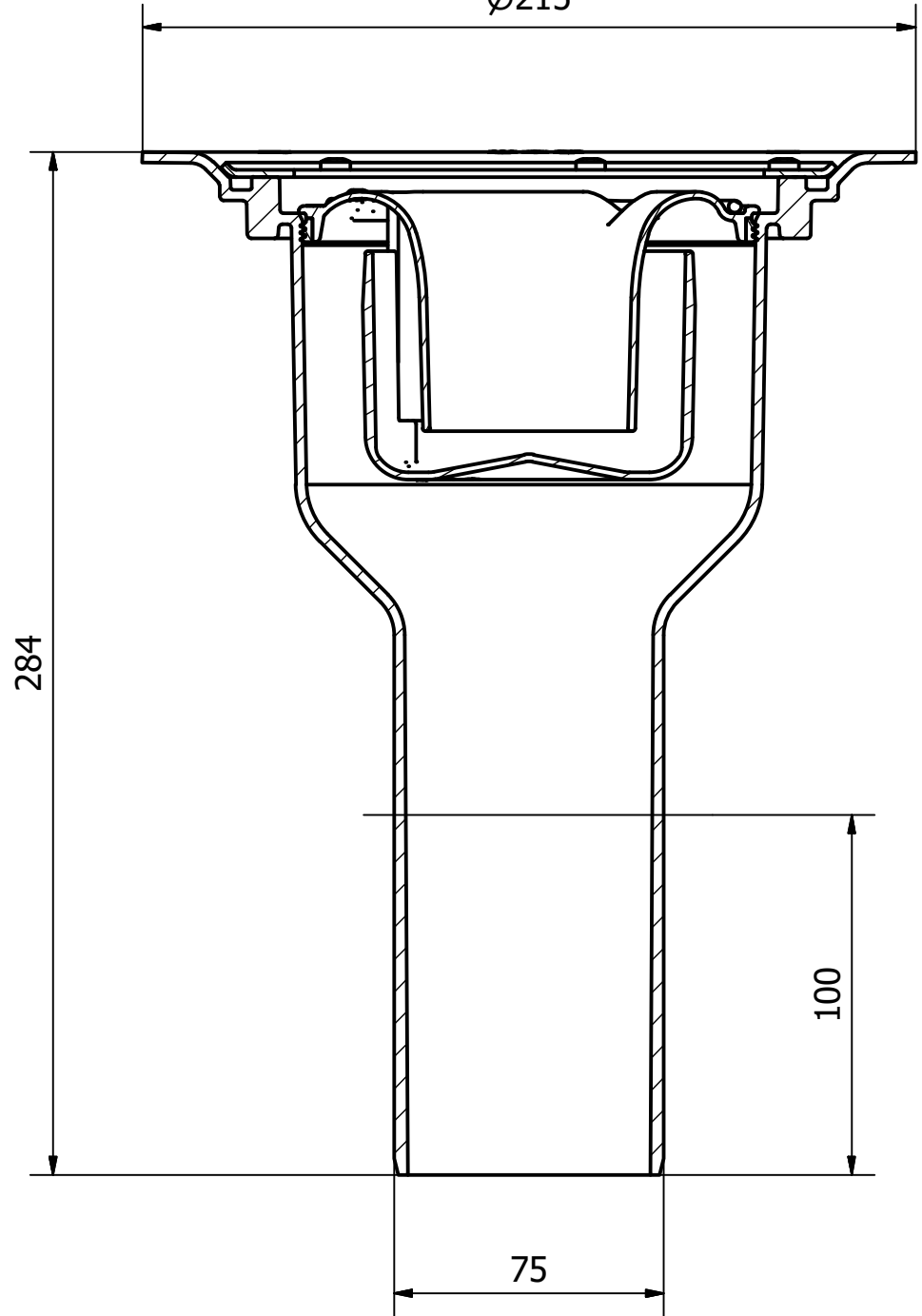


This document must not be copied without our written permission, and the contents thereof must not be imported to a third party nor be used for any unauthorized purpose. Contravention will be prosecuted. Purus AB



A-A ( 1 : 2 )

Ø215



Denna handling får ej utan vårt medgivande kopieras. Den får ej heller delgivas annan eller ejlest obehörigen användas. Överträdelse härav beivras med stöd av gällande lag. Purus AB

A3	Annotation	This drawing replace	Replaced by	Date		Page 1/(1)	Scale 1:2
<b>PURUS</b> Purus AB Södra Dragongatan 15 SE-27139 YSTAD SWEDEN Ph +46 104144900 Fax +46 104144996 www.purus.se		General tolerance. ISO 2768-1 <b>Medium</b>	Weight (gram) 0,517 kg	Volume (mm <sup>3</sup> ) 517498,480 mm <sup>3</sup>	Approved by	Date 2016-06-20	
Material <b>Sammanställning</b>		Surface treatment	Designer <b>njh</b>		Created date 2016-06-20		
Name <b>Purus S Brage 75 Botten</b>		Article no <b>7103439</b>		Edition <b>A</b>			