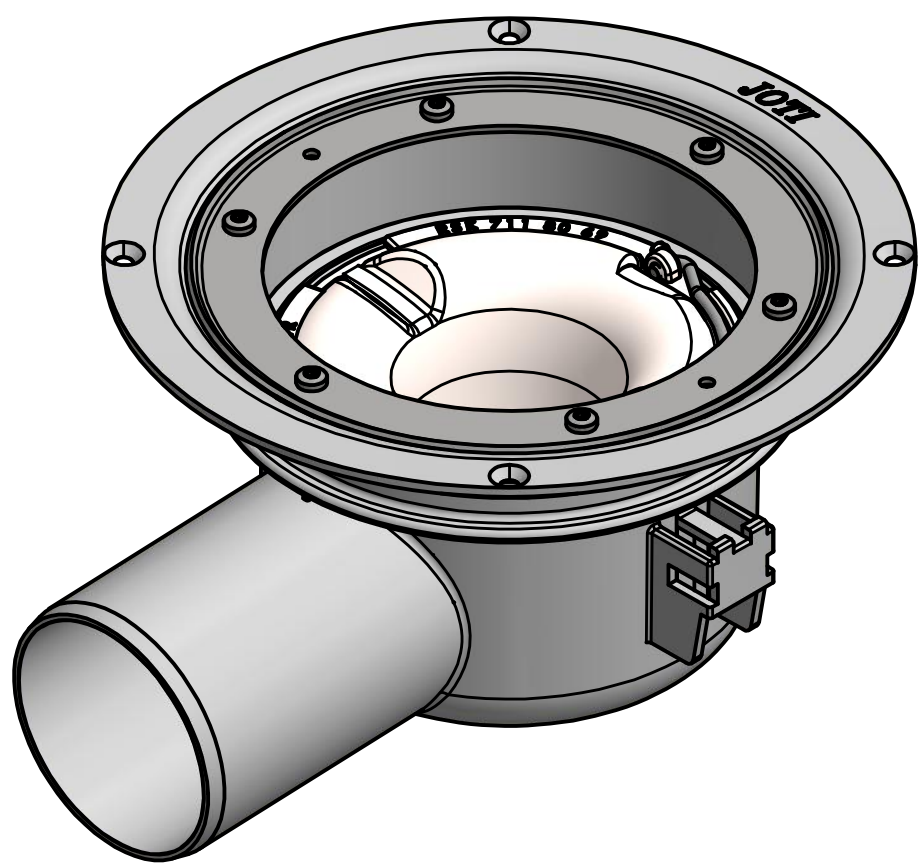
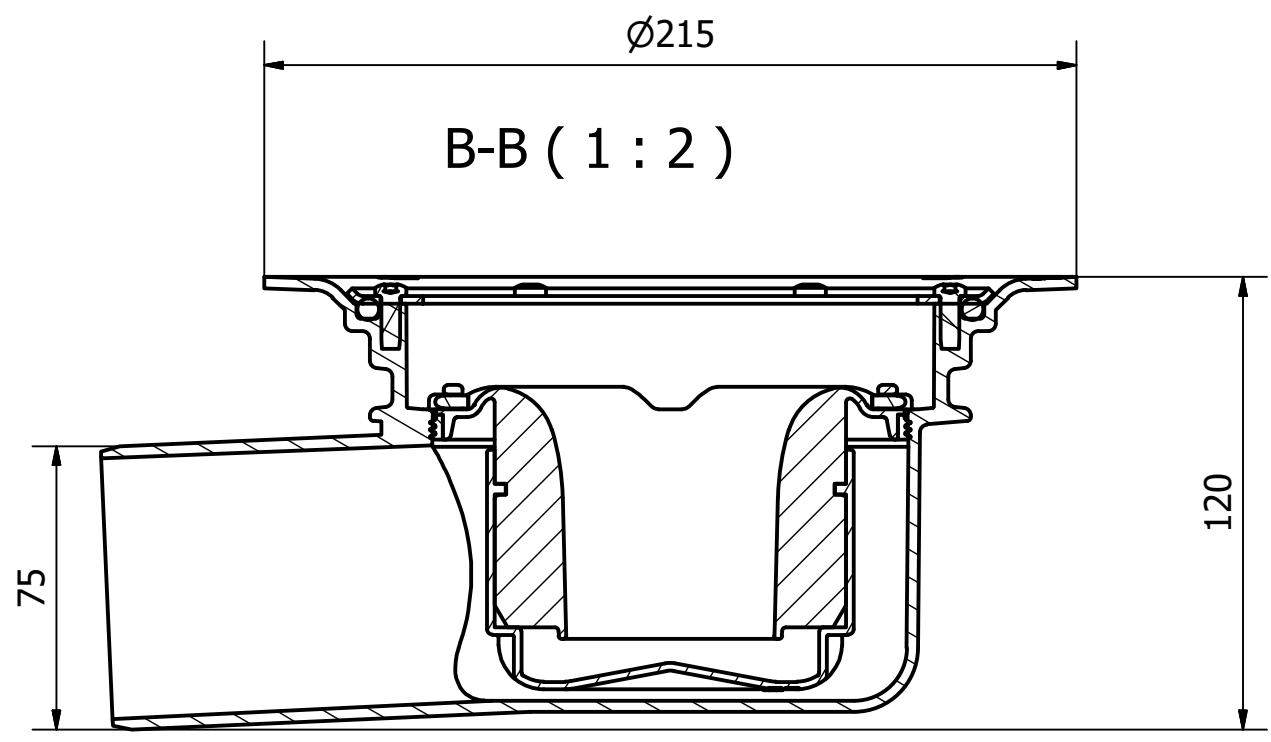
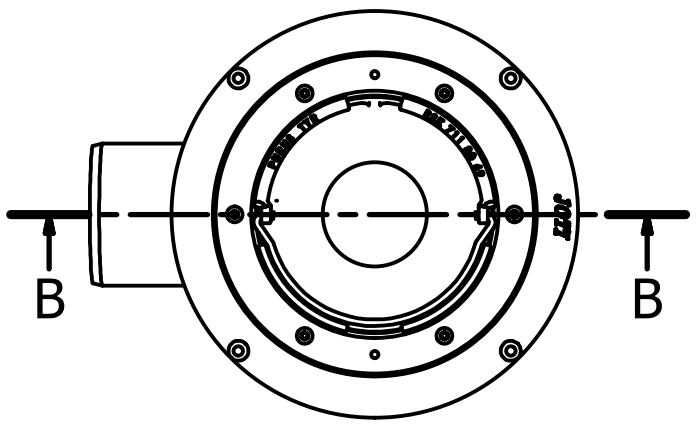


This document must not be copied without our written permission, and the contents thereof must not be imported to a third party nor be used for any unauthorized purpose. Contravention will be prosecuted. Purus AB



Denna handling får ej utan vårt medgivande kopieras. Den får ej heller delgivas annan eller ejlest obehörigen användas. Överträdelse härav beivras med stöd av gällande lag. Purus AB

A3	Annotation	This drawing replace	Replaced by	Date		Page	Scale	
						1/(1)	1:2	
 <small>Purus AB Södra Dragongatan 15 SE-27139 YSTAD SWEDEN Ph +46 104144900 Fax +46 104144996 www.purus.se</small>	General tolerance. ISO 2768-1		Weight (gram)		Volume (mm ³)		Approved by	Date
	Medium		625,907 g		510076,019 mm ³			
	Material		Surface treatment		Designer		Created date	
Sammanställning				njh		2016-06-20		
Name				Artice no		Edition		
Purus S Oden 75 Sida				7110405		A		