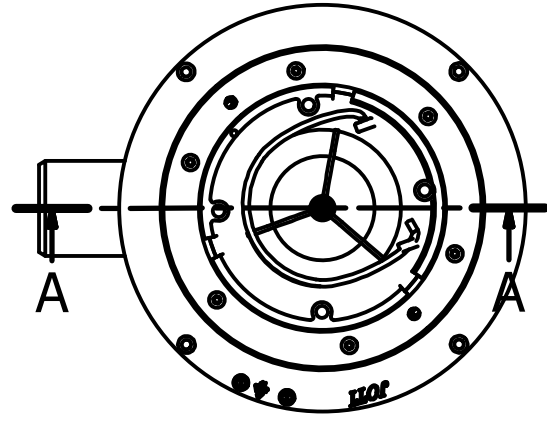
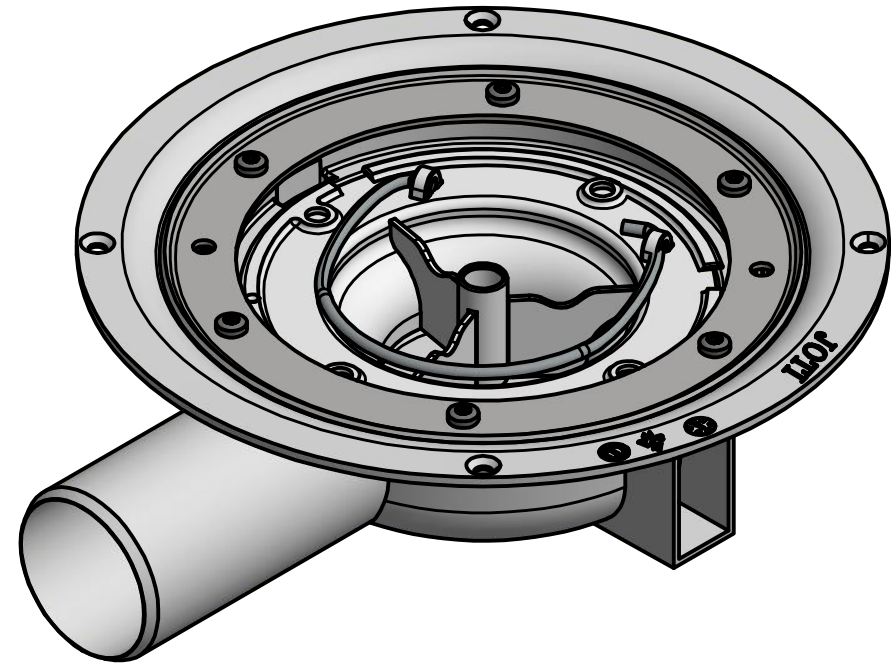
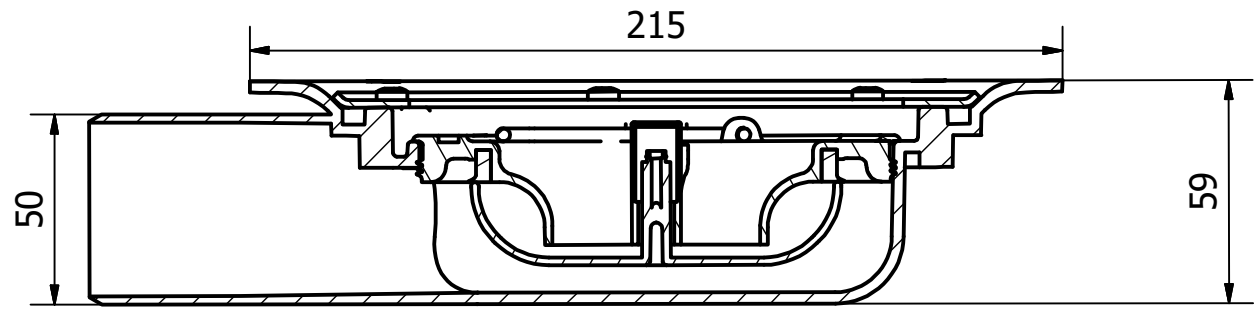


This document must not be copied without our written permission, and the contents thereof must not be imported to a third party nor be used for any unauthorized purpose. Contravention will be prosecuted. Purus AB



A-A (1 : 2)



Denna handling får ej utan vårt medgivande kopieras. Den får ej heller delgivas annan eller ejlest obehörigen användas. Överträdelse härav beivras med stöd av gällande lag. Purus AB

A3	Annotation	This drawing replace	Replaced by	Date		Page	Scale
						1 / (1)	1:2
 <small>Purus AB Södra Dragongatan 15 SE-27139 YSTAD SWEDEN Ph +46 104144900 Fax +46 104144996 www.purus.se</small>	General tolerance. ISO 2768-1		Weight (gram)	Volume (mm ³)	Approved by Date		
	Medium		356,112 g	356111,687 mm ³	Created date		
	Material		Surface treatment	Designer		2016-06-20	
Sammanställning				njh			
Name				Artice no		Edition	
Purus S MiniMax Låg 50 Sida				7110406		A	