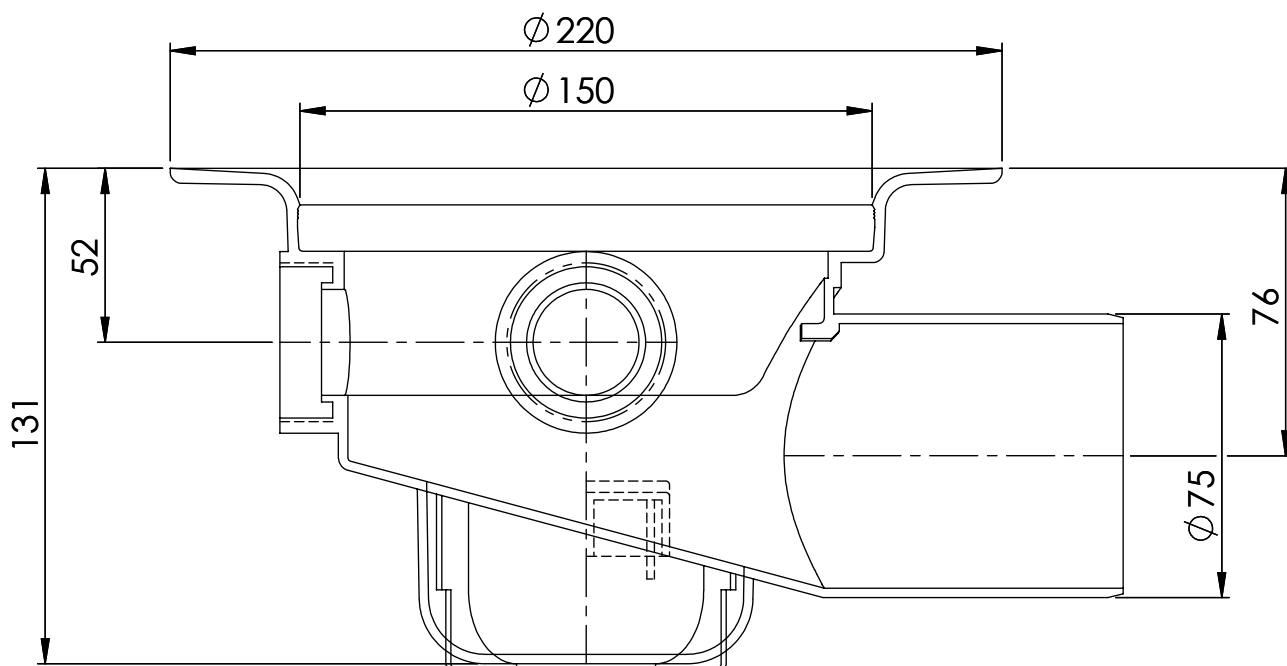


This document must not be copied without our written permission, and the contents thereof must not be imported to a third party nor be used for any unauthorized purpose. Contravention will be prosecuted. Purus AB



Denne handling får ej uden vort medgivende kopieras. Den får ej heller delgives annan eller eljest obehörigen användas. Överträdelse härav beivras med stöd av gällande lag. Purus AB

Annotation <b>Måttskiss</b>		A4		This drawing replace		Replaced by		Date	
<b>PURUS</b> Purus AB Södra Dragongatan 15 SE-271 39 YSTAD, SWEDEN Ph. +46 104144900 Fax +46 104144996 www.purus.se		Scale 1:2	Page 1(1)	General tolerance. ISO 2768-1		Weight (gram)	Volume (cm3)	Approved by	Date
Material				Surface treatment			Designer	Created date	
Name <b>Våke</b>						Article no		Edition	