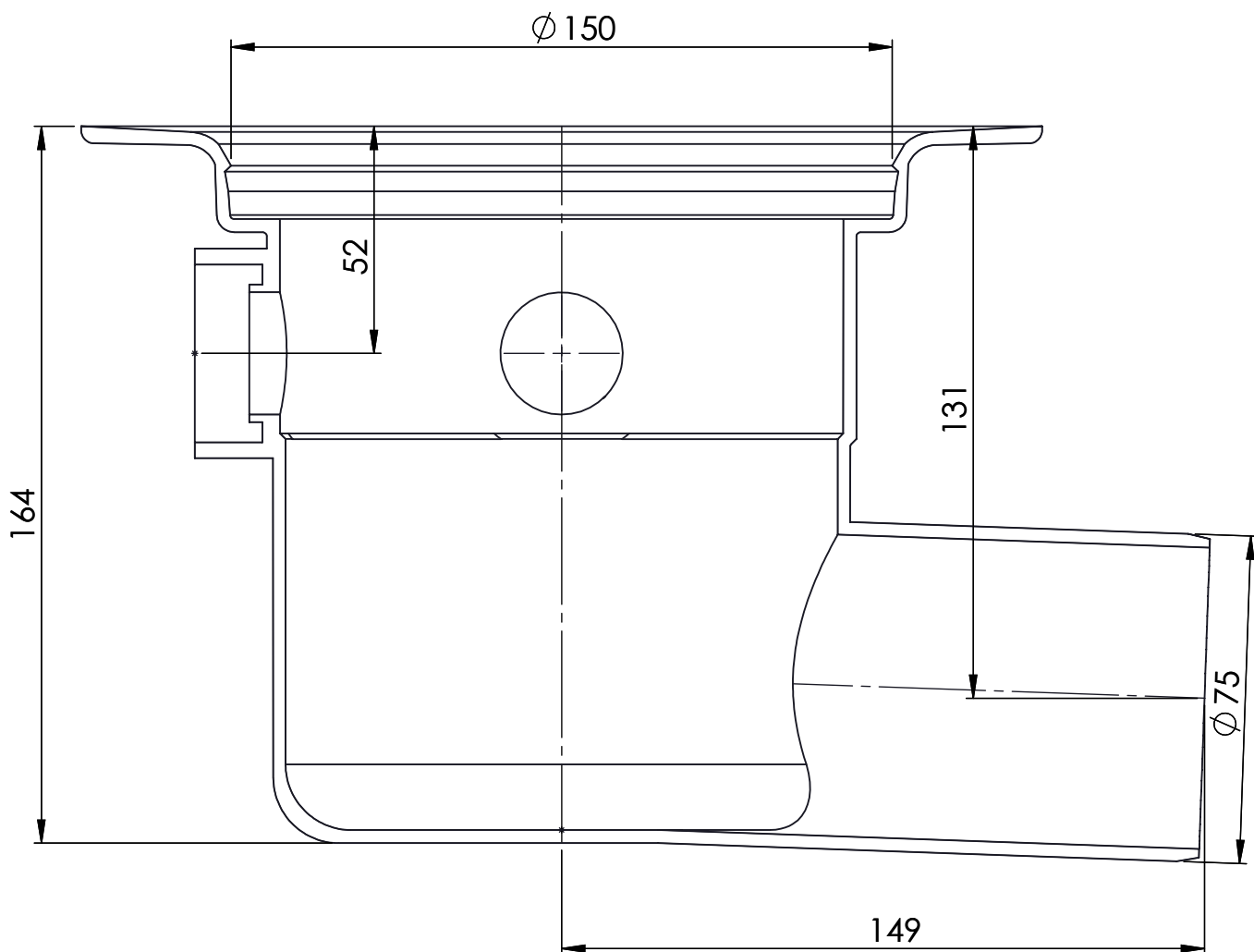


This document must not be copied without our written permission, and the contents thereof must not be imported to a third party nor be used for any unauthorized purpose. Contravention will be prosecuted. Purus AB



Denne handling får ej uden vort medgivende kopieres. Den får ej heller delgives annan eller eljest obehörigen användas. Överträdelse härav beivras med stöd av gällande lag. Purus AB

Annotation		A4		This drawing replace		Replaced by		Date	
Måttskiss		Scale		General tolerance. ISO 2768-1		Volume (cm3)		Approved by	
PURUS		1:4		Weight (gram)		Surface treatment		Date	
Purus AB Södra Dragongatan 15 SE-271 39 YSTAD, SWEDEN Ph. +46 104144900 Fax +46 104144996 www.purus.se		Page		Designer		Created date		Edition	
Material		1(1)		Name		Article no			
Name		Våge							