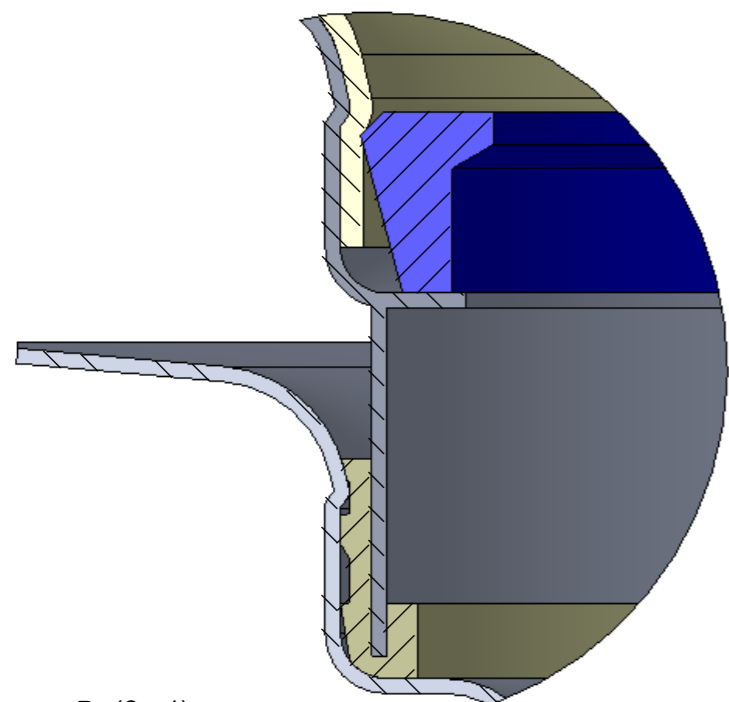
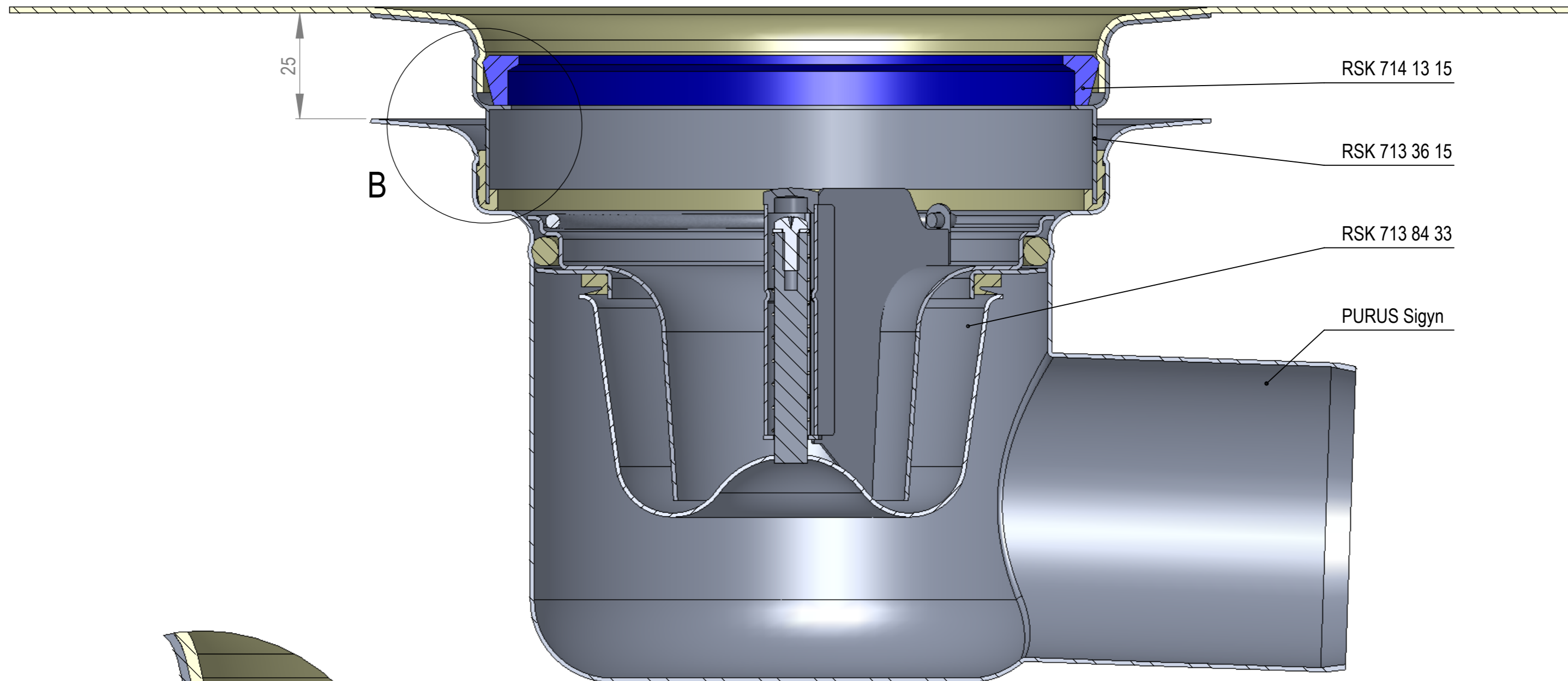


This document must not be copied without our written permission, and the contents thereof must not be imported to a third party nor be used for any unauthorized purpose. Contravention will be prosecuted. Purus AB



Denna handling får ej utan vårt medgivande kopieras. Den får ej heller delgivas annan eller ejlest obehörigen användas. Överträdelse härav beivras med stöd av gällande lag. Purus AB

B (2:1)

Annotation		A3		This drawing replace		Replaced by		Date	
-		-		-		-		-	
PURUS		Scale	Page	General tolerance, ISO 2768-1	Weight (gram)	Volume (cm3)	Approved by	Date	
Purus AB Södra Dragongatan 15 SE-271 39 YSTAD, SWEDEN Ph. +46 104144900 Fax +46 104144996 www.purus.se		1:1	1(1)	medel	1846.87	511.95	-	-	
Material				Surface treatment		Designer		Created date	
Sammanställning				-		SwS		2011-09-12	
Name						Article no		Edition	
RSK 7133615 kompl.								1	