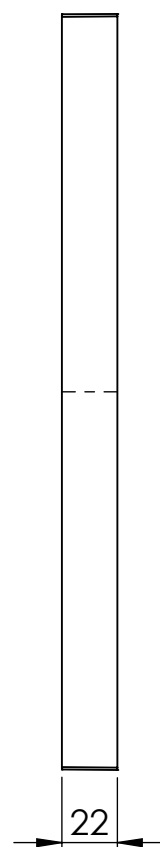
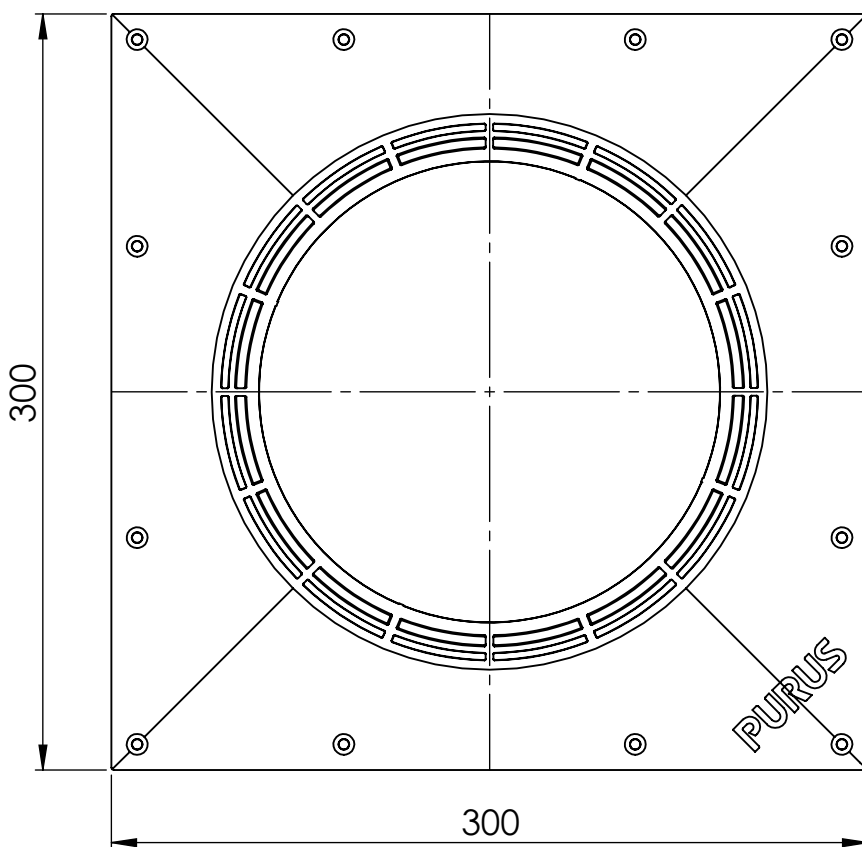
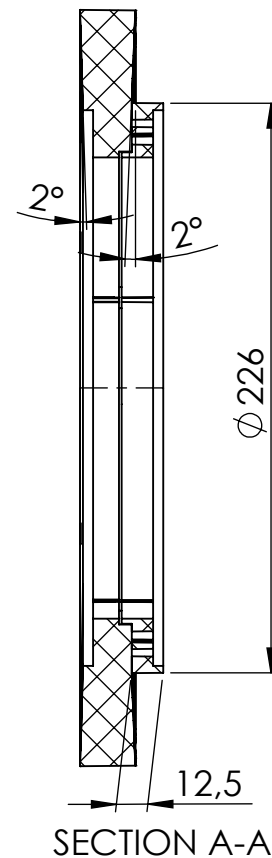
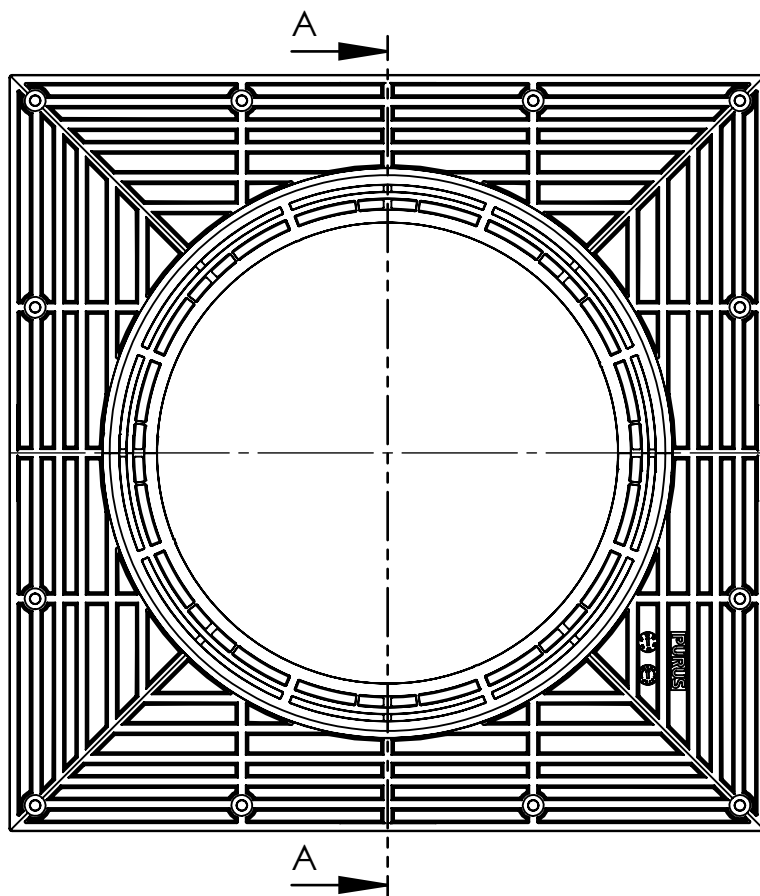



This document must not be copied without our written permission, and the contents thereof must not be imported to a third party nor be used for any unauthorized purpose. Contravention will be prosecuted. Purus AB



Den här handling får ej utan vårt medgivande kopieras. Den får ej heller delgivas annan eller eljest obehörigen användas. Överträdelse härav beivras med stöd av gällande lag. Purus AB

Annotation Måttskiss		A4		This drawing replace		Replaced by		Date	
 Purus AB Södra Dragongatan 15 SE-271 39 YSTAD, SWEDEN Ph. +46 104144900 Fax +46 104144996 www.purus.se		Scale 1:3	Page 1(1)	General tolerance. ISO 2768-1 -	Weight (gram)	Volume (cm3)	Approved by -	Date -	
Material		Surface treatment -				Designer SwS		Created date 2015-04-09	
Name Purusplattan 2014						Article no RSK 713 36 96		Edition 1	