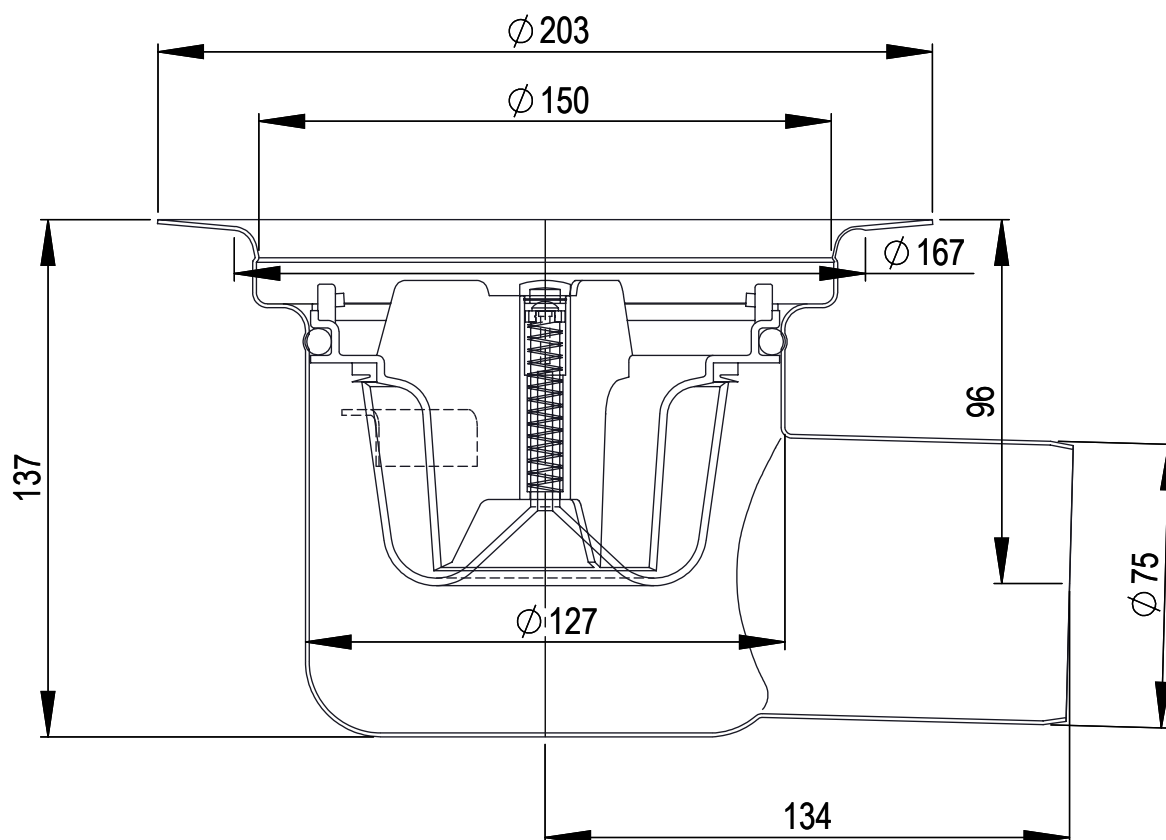


This document must not be copied without our written permission, and the contents thereof must not be imported to a third party nor be used for any unauthorized purpose. Contravention will be prosecuted. Purus AB



RSK 715 24 80

Denne handling får ej uden vort medgivende kopieres. Den får ej heller delgives annan eller eljest obehörigen användas. Överträdelse härav beivras med stöd av gällande lag. Purus AB

Annotation		A4		This drawing replace		Replaced by		Date	
PURUS		Scale	Page	General tolerance. ISO 2768-1	Weight (gram)	Volume (cm3)	Approved by	Date	
Purus AB Södra Dragongatan 15 SE-271 39 YSTAD, SWEDEN Ph. +46 104144900 Fax +46 104144996 www.purus.se		1:2	1(1)					SwS	2014-06-16
Material		Surface treatment		Designer		Created date		Edition	
Name		Article no		Måttskiss, 7152480, Sigyn 75 R Nood					