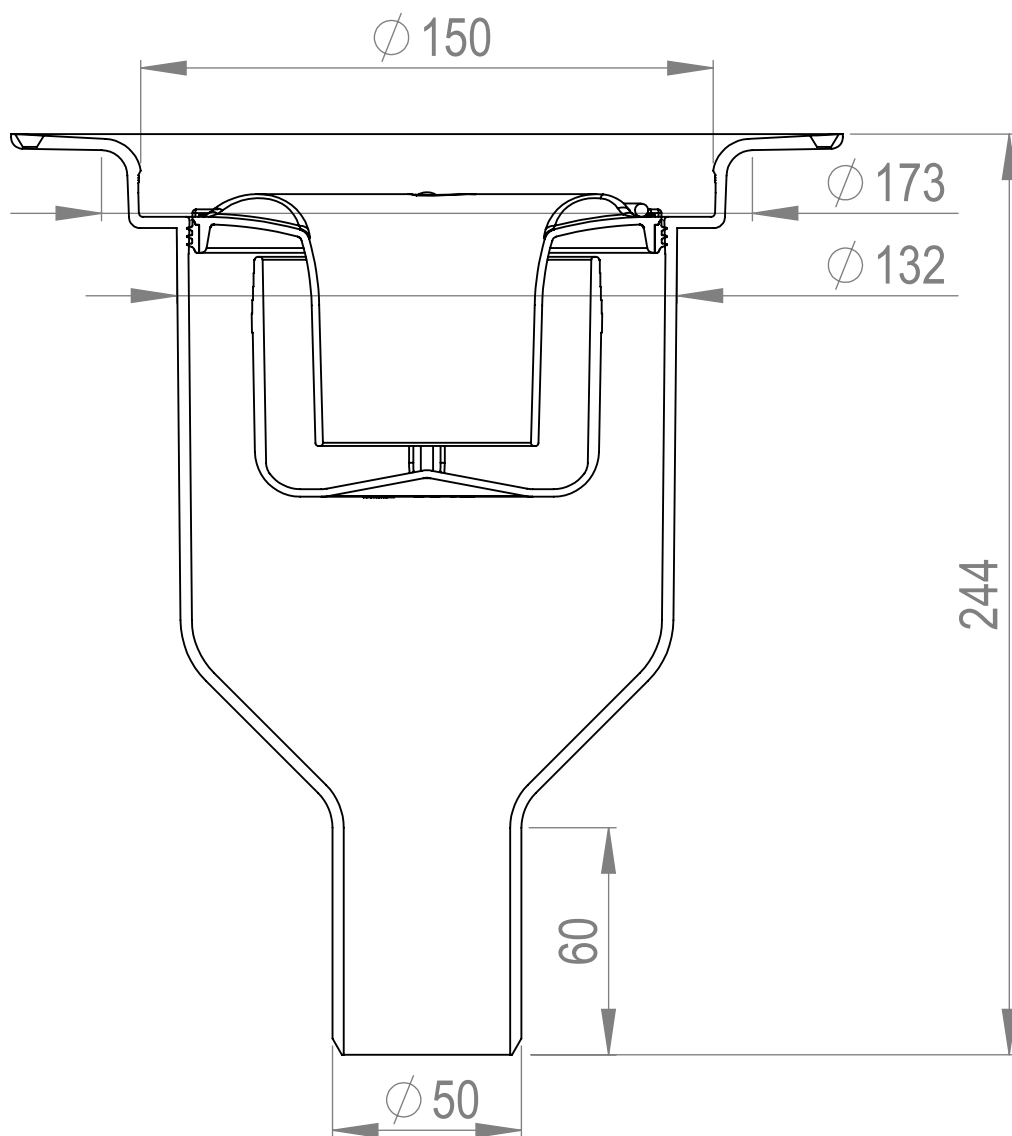


This document must not be copied without our written permission, and the contents thereof must not be imported to a third party nor be used for any unauthorized purpose. Contravention will be prosecuted. Purus AB



A-A (1 : 2)

Den här handling får ej utan vårt medgivande kopieras. Den får ej heller delgivas annan eller eljest obehörigen användas. Överträdelse härav beivras med stöd av gällande lag. Purus AB

| | | | | | | | | | |
|---|--|--------------|--------------|--|-------------------------|--|------------------|----------------------------|--|
| Annotation - | | A4 | | This drawing replace - | | Replaced by - | | Date - | |
| PURUS Purus AB Södergatan 7 SE-275 31 SJÖBO, SWEDEN Ph. +46 41625700 Fax +46 41625720 www.purus.se | | Scale 1:2 | Page 1(1) | General tolerance. ISO 2768-1 medel | Weight (gram) 446.19 | Volume (cm3) 440.44 | Approved by - | Date - | |
| Material Sammanställning | | | | Surface treatment - | | | Designer PPn | Created date 2009-05-20 | |
| Name Måttskiss, 7113927, BRAGE 50 | | | | | | Article no Måttskiss, 7113927, BRAGE 50 | | Edition 1 | |