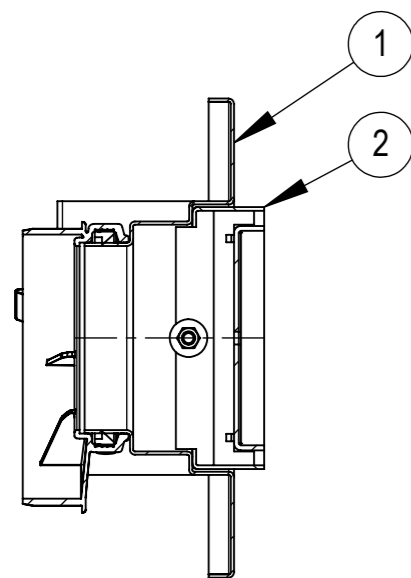
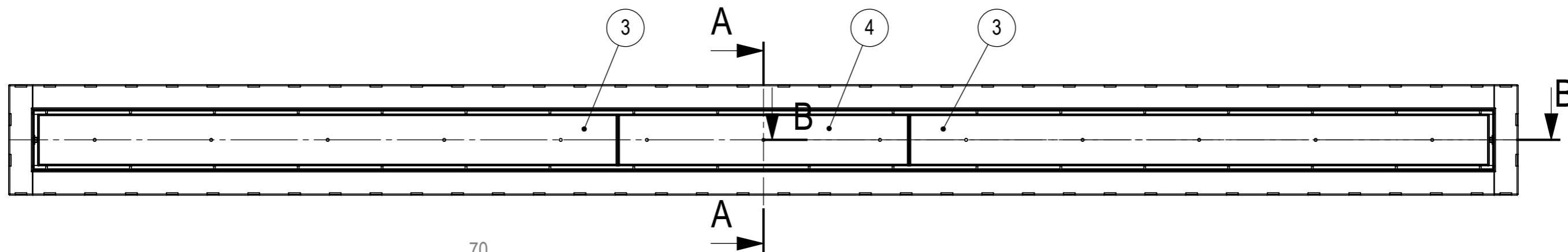
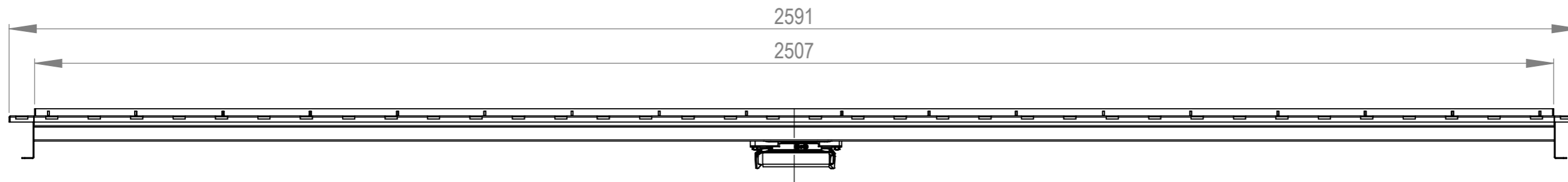
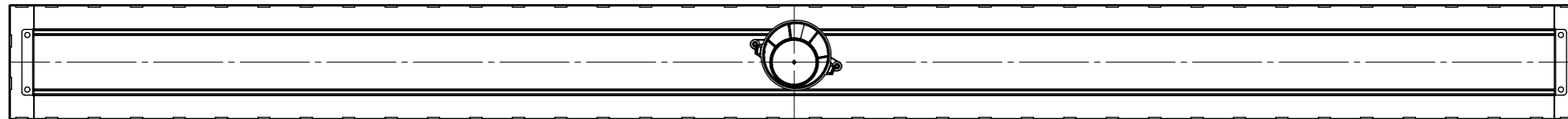
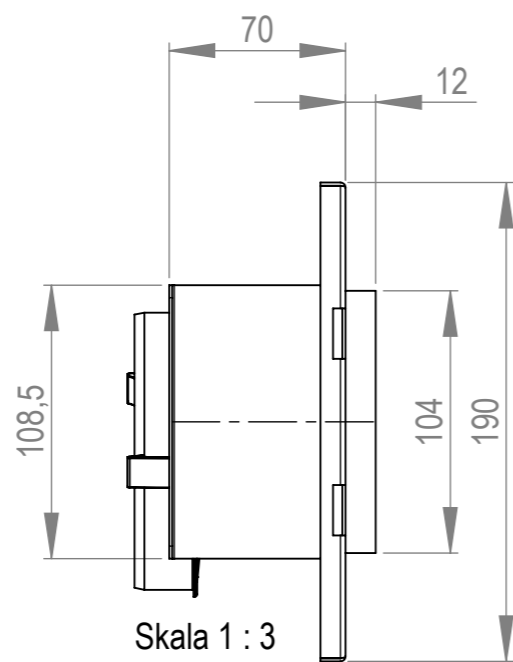


This document must not be copied without our written permission, and the contents thereof must not be imported to a third party nor be used for any unauthorized purpose. Contravention will be prosecuted. Purus AB



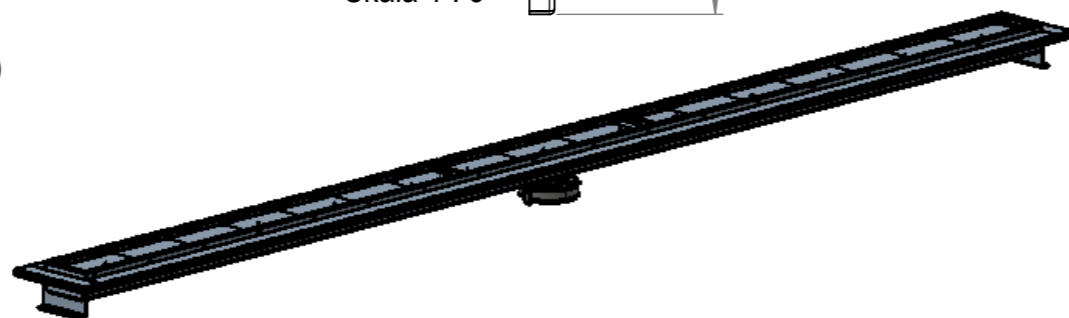
A-A (1:3)



Skala 1:3



B-B (1:6.5)



ITEM NO.	PART NUMBER	DESCRIPTION	Default/QTY.
1	855292	Purusränna 100 klinker centr. 2500	1
2	1868-855396	Ram Tile limfläns 2500	1
3	1868-855597	Låda Tile 1004 (passbit)	2
4	1868-855593	Låda Tile 508 (passbit)	1

Annotation 1868		A3		This drawing replace -		Replaced by -		Date -	
PURUS		Scale 1:7.5	Page 1(1)	General tolerance. ISO 2768-1 -		Weight (gram) -		Volume (cm3) -	
Purus AB Södra Dragongatan 15 SE-271 39 YSTAD, SWEDEN Ph. +46 104144900 Fax +46 104144996 www.purus.se		Material Sammanställning		Surface treatment -		Designer SwS		Created date 2013-08-23	
Name PR 100 klinker tile limfläns centr. 2500						Article no 855455		Edition 1	

Denna handling får ej utan vårt medgivande kopieras. Den får ej heller delgivas annan eller ejlest obehörigen användas. Överträdelse härav beivras med stöd av gällande lag. Purus AB