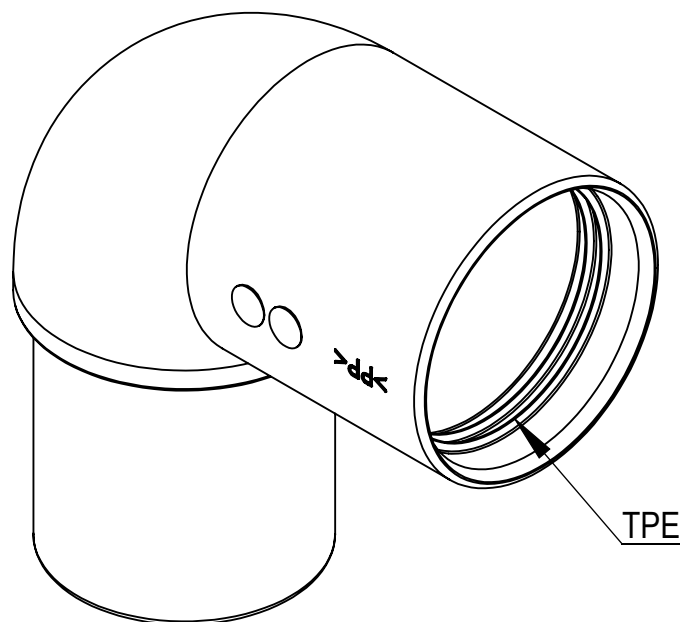
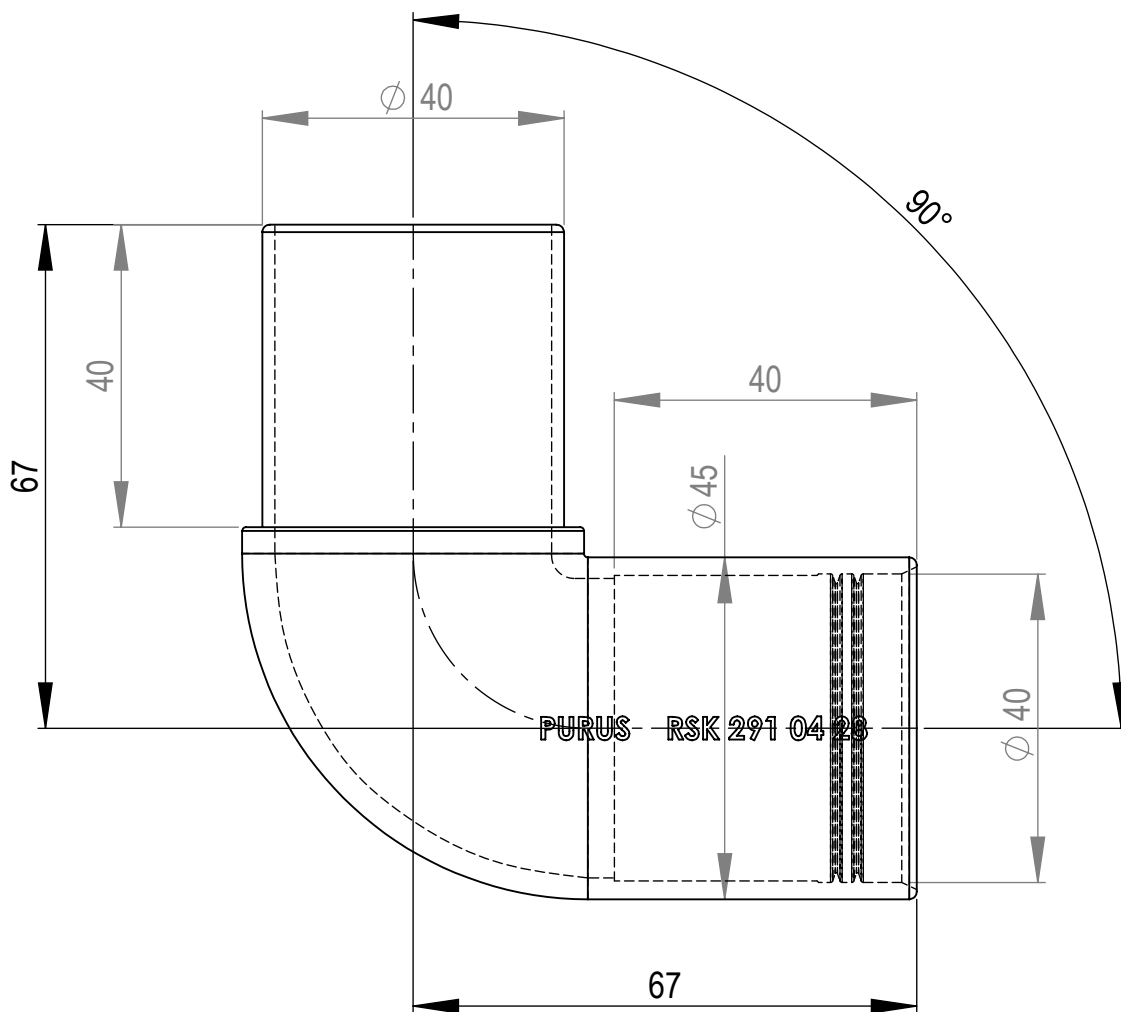


This document must not be copied without our written permission, and the contents thereof must not be imported to a third party nor be used for any unauthorized purpose. Contravention will be prosecuted. Purus AB



Den här handling får ej utan vårt medgivande kopieras. Den får ej heller delges annan eller ejlast obehörigen användas. Överträdelse härav beivras med stöd av gällande lag. Purus AB

Annotation				A4	This drawing replace		Replaced by	Date			
-				-	-		-	-			
<p>PURUS Purus AB Södra Dragongatan 15 SE-271 39 YSTAD, SWEDEN Ph. +46 104144900 Fax +46 104144996 www.purus.se</p>		Scale	1:1		Page	1(1)	General tolerance. ISO 2768-1	Weight (gram)	Volume (cm3)	Approved by	Date
	Material				Surface treatment		Designer	Created date			
	PP, TPE				-		SWS	2013-06-14			
Name							Article no		Edition		
Måttskiss							RSK 2910428		1		