



ETA-Danmark A/S  
Göteborg Plads 1  
DK-2150 Nordhavn  
Tel. +45 72 24 59 00  
Fax +45 72 24 59 04  
Internet [www.etadanmark.dk](http://www.etadanmark.dk)

Authorised and notified according  
to Article 29 of the Regulation (EU)  
No 305/2011 of the European  
Parliament and of the Council of 9  
March 2011

MEMBER OF EOTA



## European Technical Assessment ETA-00/0003 of 03/06/2016

### I General Part

**Technical Assessment Body issuing the ETA and designated according to Article 29 of the Regulation (EU) No 305/2011: ETA-Danmark A/S**

**Trade name of the construction product:**

NOOD trap mounted in gully type PURUS ODEN, FLEX, VÅGE, BRAGE, LOKE, S/50 L MA, LOD, SI-GYN, SIGEX, BALDER or BALDEX

**Product family to which the above construction product belongs:**

Trap with partially mechanical closure, mounted in a non-trapped gully

**Manufacturer:**

Purus ab  
Södergatan 7  
S-27521 Sjöbo  
Tel. +46 416 257 00  
Fax +46 416 257 20

**Manufacturing plant:**

Purus ab  
Södergatan 7  
S-27521 Sjöbo

**This European Technical Assessment contains:**

14 pages including 1 annex which form an integral part of the document

**This European Technical Assessment is issued in accordance with Regulation (EU) No 305/2011, on the basis of:**

EAD 180008-00-0704 for TRAPPED GULLY – REMOVABLE – MECHANICAL CLOSURE

**This version replaces:**

The ETA with the same number issued on 2010-11-23 and expiry on 2015-11-23

Translations of this European Technical Assessment in other languages shall fully correspond to the original issued document and should be identified as such.

Communication of this European Technical Assessment, including transmission by electronic means, shall be in full (excepted the confidential Annex(es) referred to above). However, partial reproduction may be made, with the written consent of the issuing Technical Assessment Body. Any partial reproduction has to be identified as such.

## II SPECIFIC PART OF THE EUROPEAN TECHNICAL ASSESSMENT

### 1 Technical description of product and intended use

#### Technical description of the product

The kit consists of a trap with partially mechanical closure, mounted in a range of non-trapped gullies.

The trap, PURUS NOOD, (see Figure 3 in Annex 2) is made of polypropylene and designed as a bottle trap with a dip tube, but contrary to an ordinary bottle trap the bowl is loosely fixed to the dip tube by means of a spring which is designed in such a way that the trap in unused condition is closed (see Figure 1 in Annex 1). The spring is made of stainless steel 1.4310 according to EN 10270-3.

When water runs into the gully the imposed water weight will move the bowl downwards and open the trap (see Figure 2 in Annex 1).

When no water is running into the gully, the bowl will by means of the spring return to the top position, close the trap and supply a mechanical seal in addition to the water seal.

The gully is one of the following ranges:

PURUS ODEN  
PURUS FLEX  
PURUS VÅGE  
PURUS BRAGE  
PURUS LOKE  
PURUS S/50 L MA  
PURUS LOD  
PURUS SIGYN  
PURUS SIGEX  
PURUS BALDER  
PURUS BALDEX

The gully is made of plastic, cast iron or stainless steel and with vertical or horizontal outlets, and in some cases with side inlets (see overview in Table 1 in Annex 3 and Figures 4 - 14 in Annex 4).

### 2 Specification of the intended use in accordance with the applicable EAD

The trapped gully is for use in buildings for domestic waste water and designed for installation in concrete floors with a watertight covering of PVC or ceramic tiles.

The **grating** is either **SL/150 S** (made of polypropylene) or **PURUS STRONG** (made of polycarbonate) (see Figure 15 in Annex 5).

A **clamping ring, KL**, (see Figure 16 in Annex 6) is used for installation in floors with watertight covering of PVC.

An **extension connection, FH**, (see Figure 17 in Annex 6) is used for non-buried use, e.g. in floors with concrete on a layer of wooden beams.

The trapped gully ensures that:

- No gases or foul air will enter the room if the water in the water seal evaporates
- No insects or similar can enter the room via the drainage system.

The provisions made in this European Technical Assessment are based on an assumed intended working life of the kit of 25 years.

The indications given on the working life cannot be interpreted as a guarantee given by the producer or Assessment Body, but are to be regarded only as a means for choosing the right products in relation to the expected economically reasonable working life of the works.

### 3 Performance of the product and references to the methods used for its assessment

Characteristic	Assessment of characteristic
<b>3.2 Safety in case of fire (BWR2)</b>	
Reaction to fire	<b>Euroclass F</b>
<b>3.3 Hygiene, health and the environment (BWR3)</b>	
Water tightness	The kit is <b>watertight</b> according to EN 1253-1
Tightness for sheet floor covering and/or membrane	When fitted with KL clamping ring, the kit is <b>watertight</b> according to EN 1253-1
Odour tightness	The kit is <b>odour tight</b> according to EN 1253-1
Blockage prevention	The kit has <b>sufficient blockage prevention</b> according to Annex 4 of the EAD
Access for cleaning	The kit has <b>sufficient provision for cleaning</b> and rodding the outlet systems leading to and from the kit, according to EN 1253-1
Water through the grating	The <b>flow rates through the grating</b> fulfil the requirements in EN 1253-1
Water through the grating and side inlets	The <b>flow rates through the grating and side inlets</b> fulfil the requirements in EN 1253-1
Water through the side inlet	The <b>flow rates through the side inlets</b> fulfil the requirements in EN 1253-1
<b>3.4 Safety and accessibility in use (BWR4)</b>	
Loading strength	The kit has the following loading strength classes according to EN 1253-1: <b>H 1,5</b> for grating <b>PURUS SL/150 S</b> <b>K 3</b> for grating <b>PURUS STRONG</b>
Mechanical strength for extension connection	<b>FH extension connection</b> has <b>sufficient mechanical strength</b> according to EN 1253-1
Mechanical strength for clamping ring	<b>KL clamping ring</b> has <b>sufficient mechanical strength</b> according to EN 1253-2, clause 10.4.2 and EN 1253-1, clause 8.10.2
Apertures in gratings	The kit fulfils the requirements to <b>permissible apertures dimensions</b> according to EN 1253-2, clause 6 and EN 1253-1, clause 8.5
Mechanical durability	The spring is made of stainless steel 1.4310 according to EN 10270-3. The spring has a sufficient mechanical durability.
Temperature cycling	The kit has <b>sufficient resistance to temperature cycling</b> according to EN 1253-2, clause 9.1 and EN 1253-1, clauses 8.8.1 and 8.8.2
<b>3.8 Sustainable use of natural resources (BWR7)</b>	No performance determined

### **Aspects related to the performance of the product**

The European Technical Assessment is issued for the product on the basis of agreed data/information, deposited with ETA-Danmark, which identifies the product that has been assessed and judged. Changes to the product or production process, which could result in this deposited data/information being incorrect, should be notified to ETA-Danmark before the changes are introduced. ETA-Danmark will decide whether or not such changes affect the ETA and consequently the validity of the CE marking on the basis of the ETA and if so whether further assessment or alterations to the ETA, shall be necessary.

The performance of the watertight membrane kit results from the characteristic values and categories.

The supplementing statements of the manufacturer stated in the MTD for design and application of the kit shall be considered

The performance of the kit can be assumed only, if the following aspects are considered:

- only those components which are specified components of the kit can be used,
- the appropriate tools shall be used and adjuvant, precautions shall be taken,

It is the manufacturer's responsibility to make sure that all those who utilize the kit will be appropriately informed about the specific conditions according to this ETA and the not confidential parts of the MTD deposited to this ETA

#### **4 Attestation and verification of constancy of performance (AVCP)**

##### **4.1 AVCP system**

According to the decision 2000/273/EC of the European Commission as amended, the system(s) of assessment and verification of constancy of performance (see Annex V to Regulation (EU) No 305/2011) is 4.

#### **5 Technical details necessary for the implementation of the AVCP system, as foreseen in the applicable EAD**

Technical details necessary for the implementation of the AVCP system are laid down in the control plan deposited at ETA-Danmark

Issued in Copenhagen on 2016-06-03 by



Thomas Bruun  
Managing Director, ETA-Danmark

### Annex 1

Figures 1 and 2 Schematic diagrams showing the principle of the spring in the trap

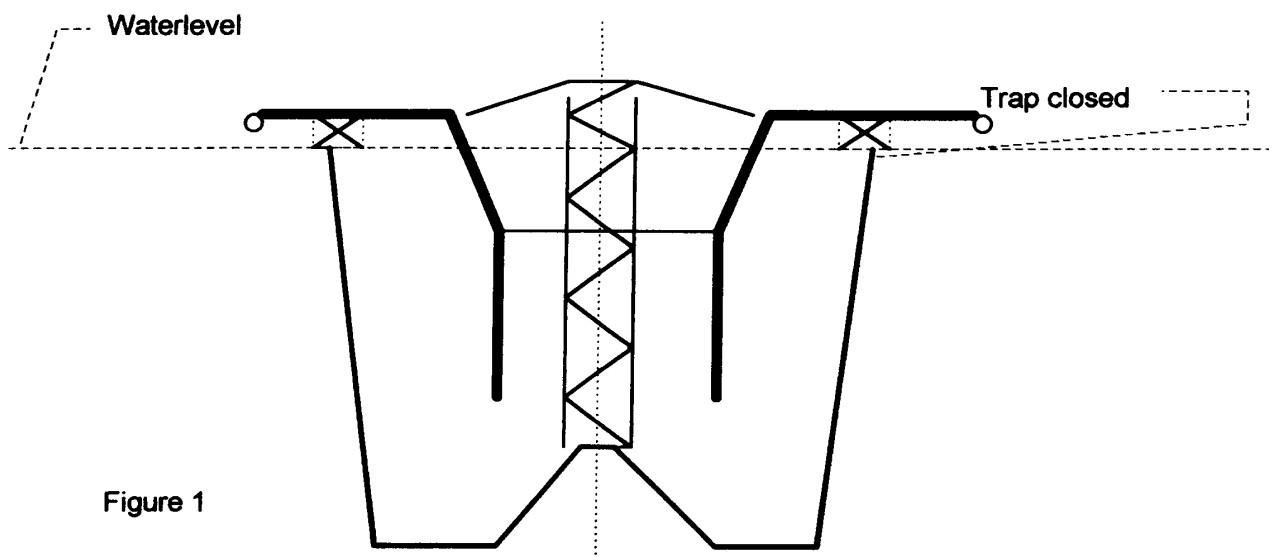


Figure 1

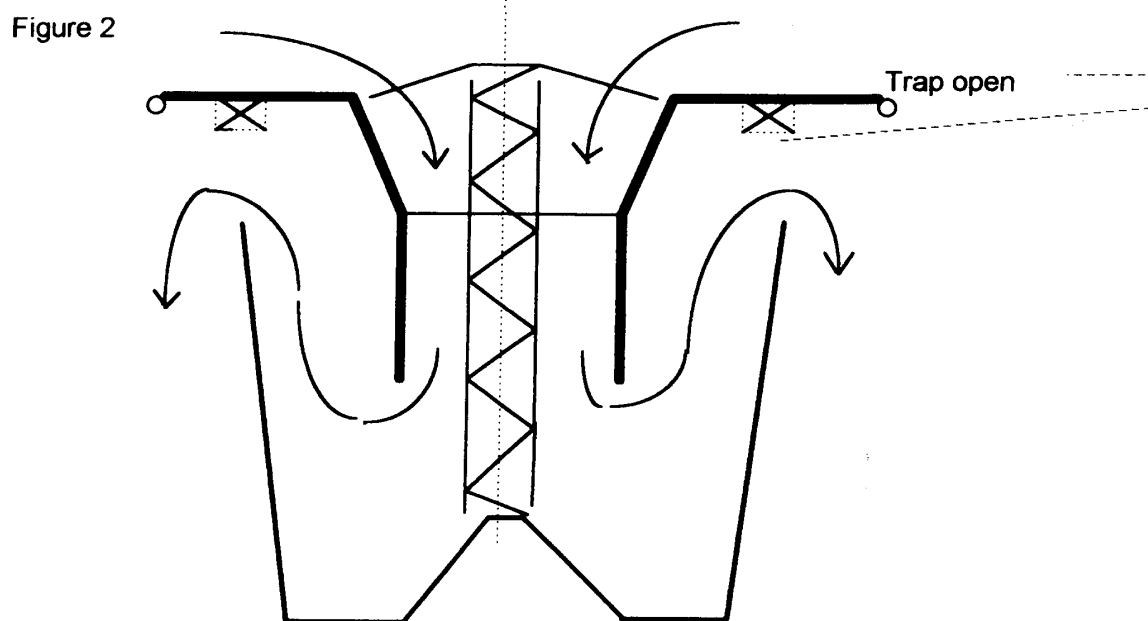
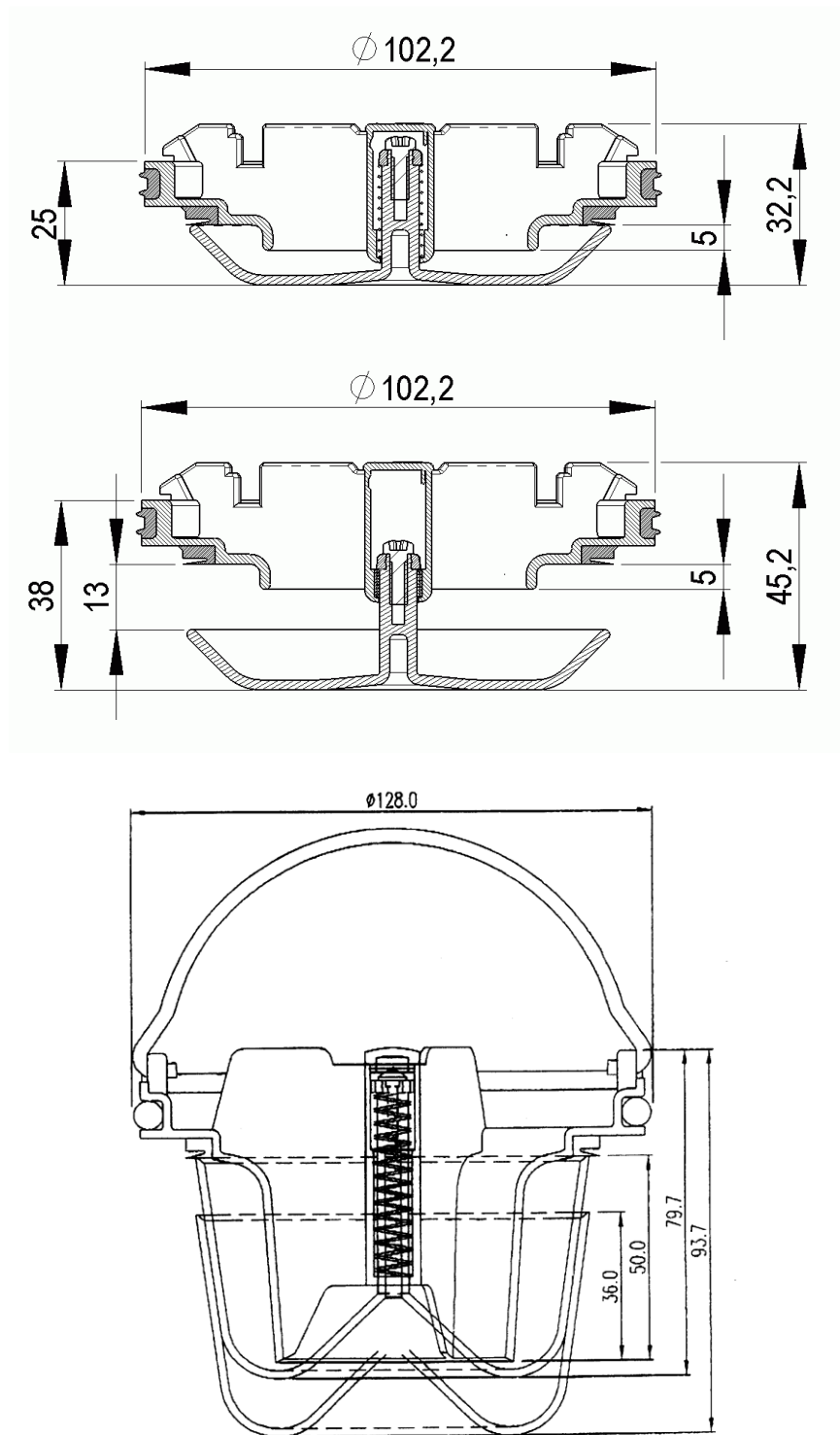


Figure 2

## Annex 2

Figure 3 Drawing of PURUS NOOD



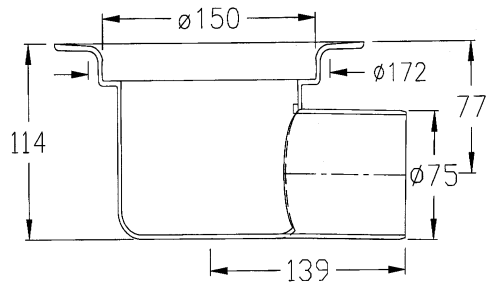


**Annex 3****Table 1 Overview of range of gullies and the maximum flows**

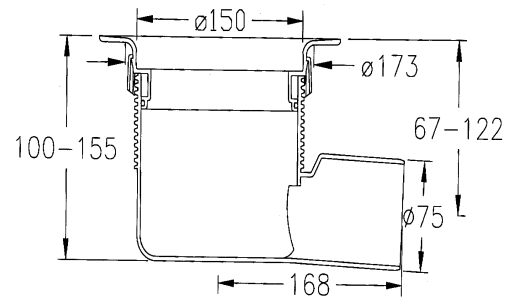
PURUS gully type	Material of gully	Outlet	Nominal size of outlet (mm)	Number of side inlets
ODEN	PP or PEH	Horizontal	75	!
FLEX	PP	Horizontal	75	!
VÅGE	PP	Horizontal	75	3
BRAGE	ABS	Vertical	75	!
LOKE	PP	Vertical	75	3
S/50 L MA	Cast iron	Horizontal	75	!
LOD	Cast iron	Vertical	75	!
SIGYN	Stainless steel	Horizontal	75	!
SIGEX	Stainless steel	Horizontal	75	4
BALDER	Stainless steel	Vertical	75	!
BALDEX	Stainless steel	Vertical	75	4

### Annex 4

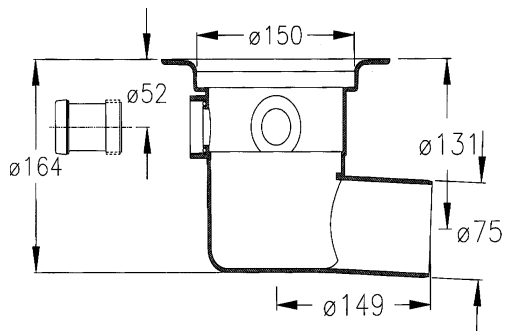
**Figure 4 Drawing of PURUS ODEN**



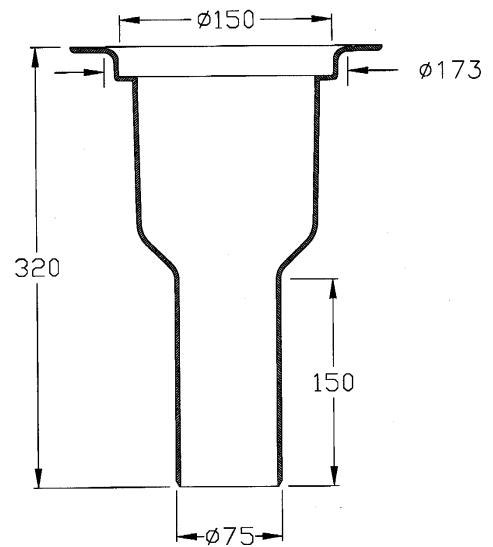
**Figure 5 Drawing of PURUS FLEX**



**Figure 6 Drawing of PURUS VÅGE**



**Figure 7 Drawing of PURUS BRAGE**



Annex 4 continued

Figure 8 Drawing of PURUS LOKE

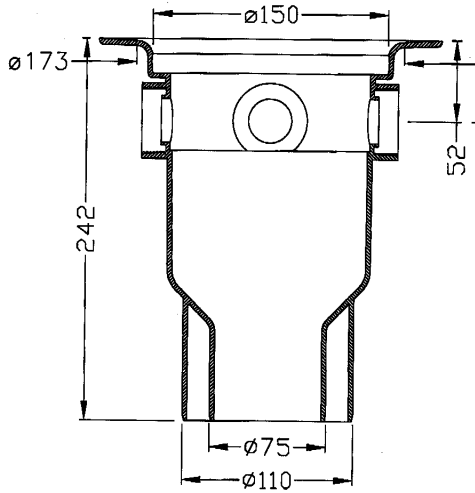


Figure 9 Drawing of PURUS S/50 L MA

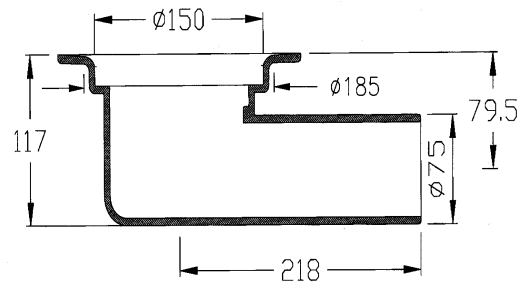


Figure 10 Drawing of PURUS LOD

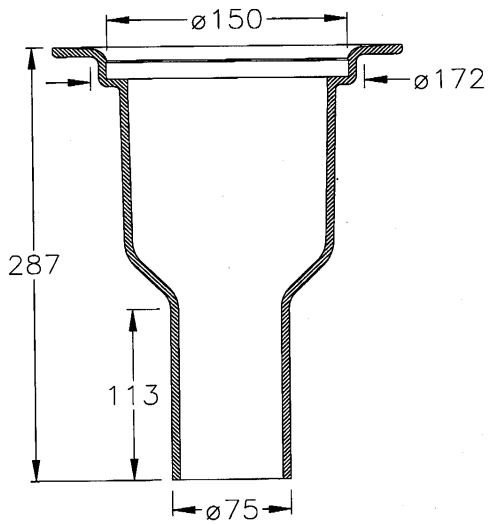
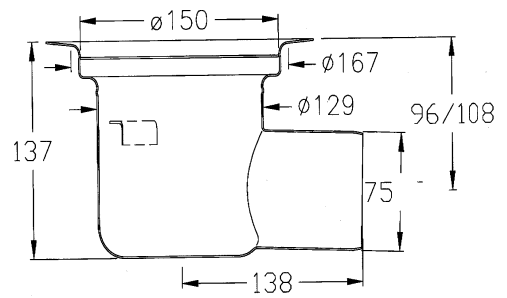


Figure 11 Drawing of PURUS SIGYN



Annex 4 continued

Figure 12 Drawing of PURUS SIGEX

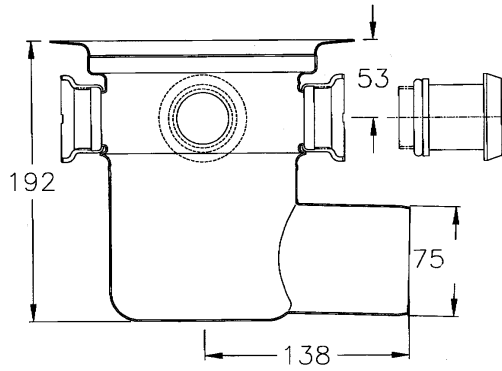


Figure 13 Drawing of PURUS BALDER

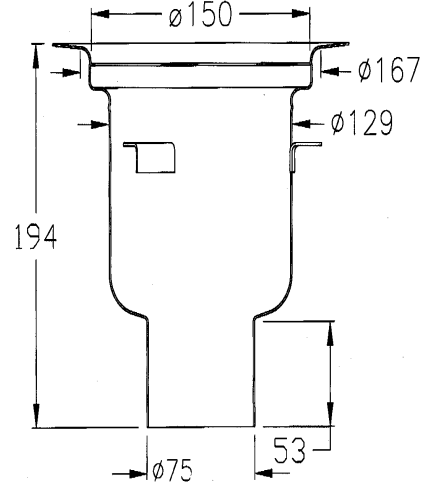
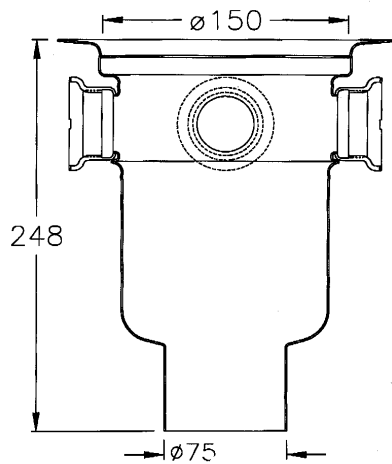
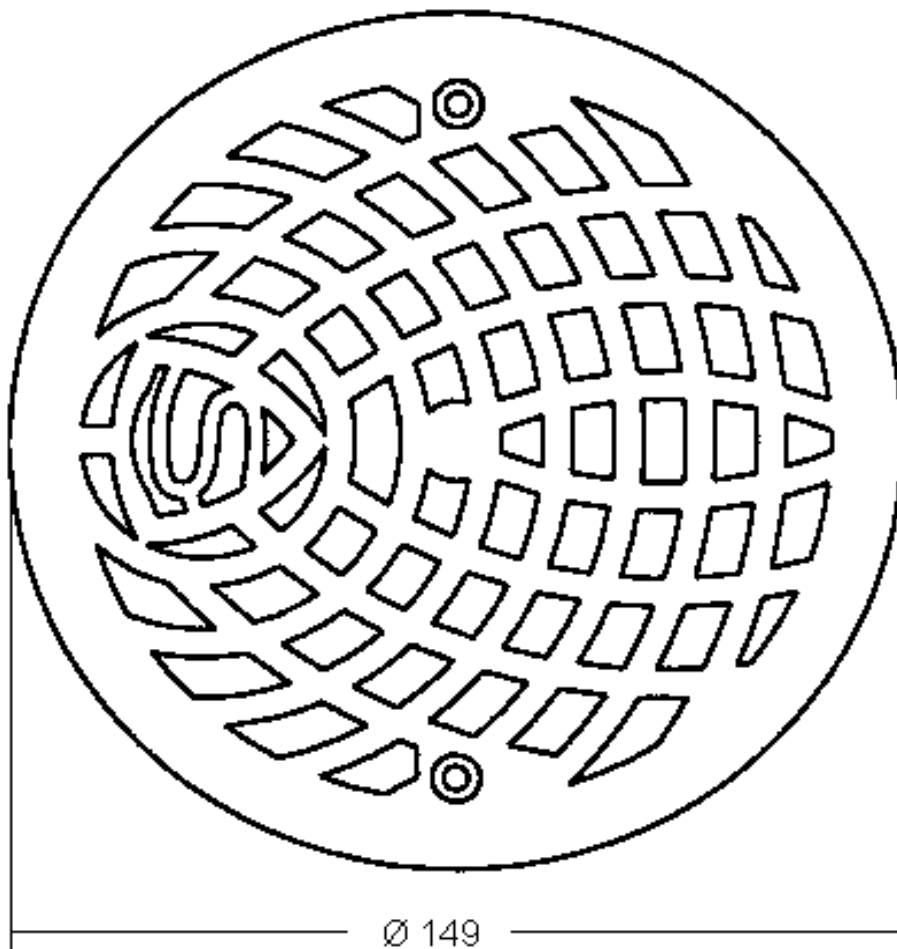


Figure 14 Drawing of PURUS BALDEX



### Annex 5

**Figure 15** Drawing of grating PURUS SL/150 S (polypropylene)  
or PURUS STRONG (polycarbonate)



## Annex 6

Figure 16 Drawing of clamping ring KL

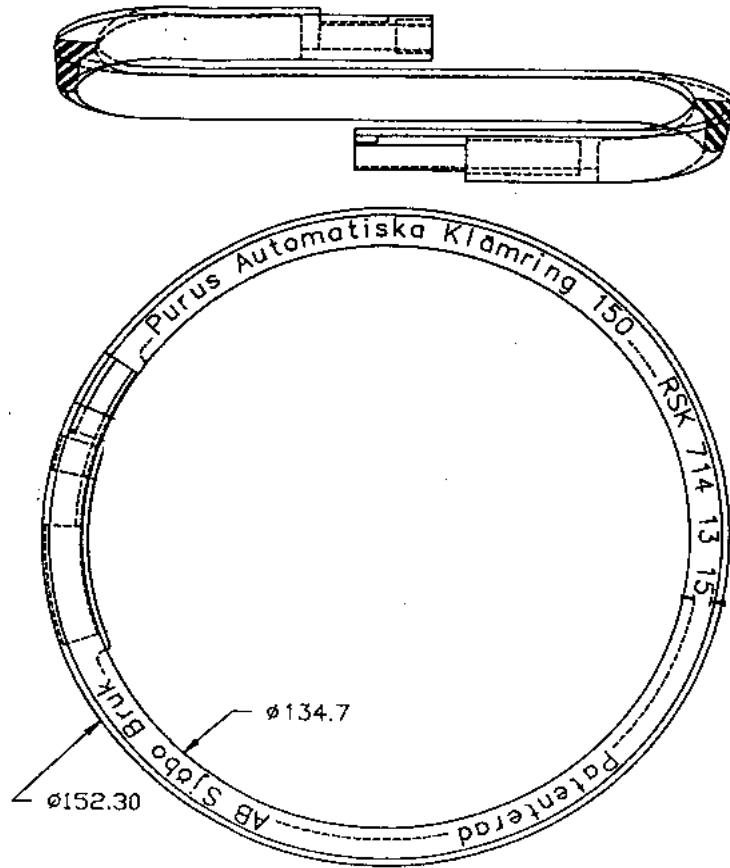


Figure 17 Drawing of extension connection FH

