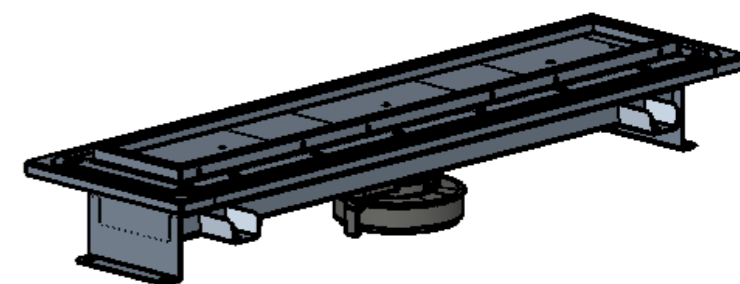
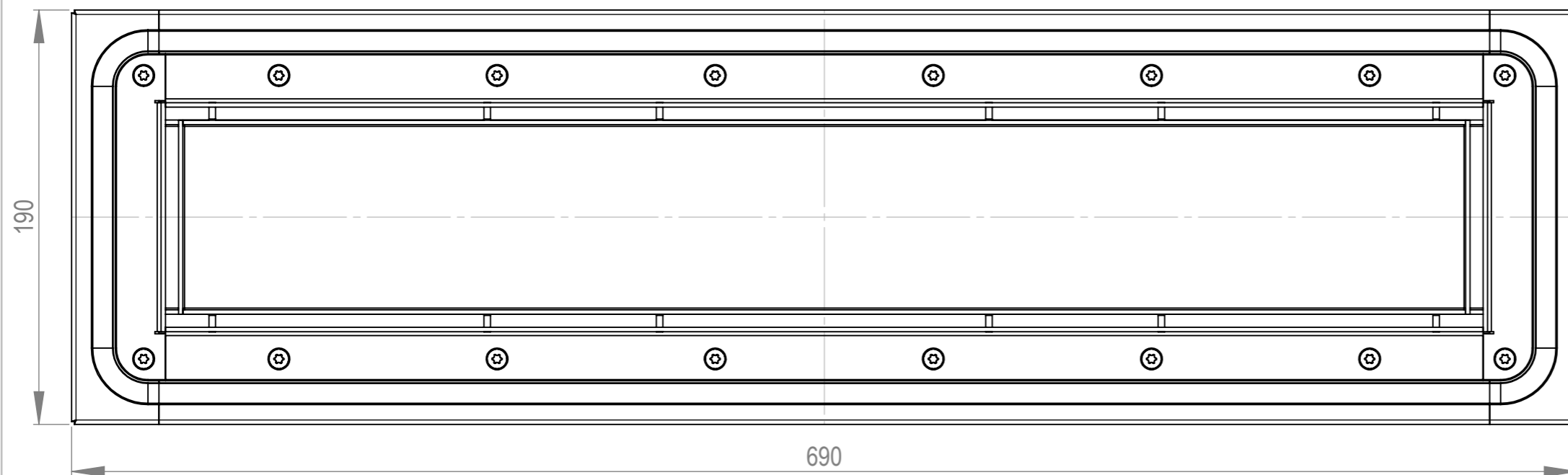
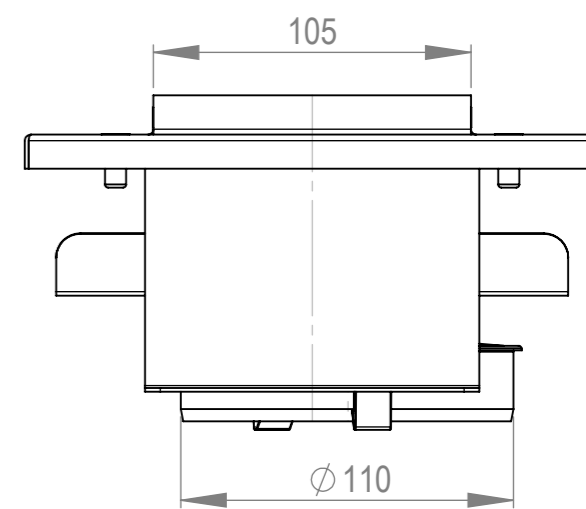
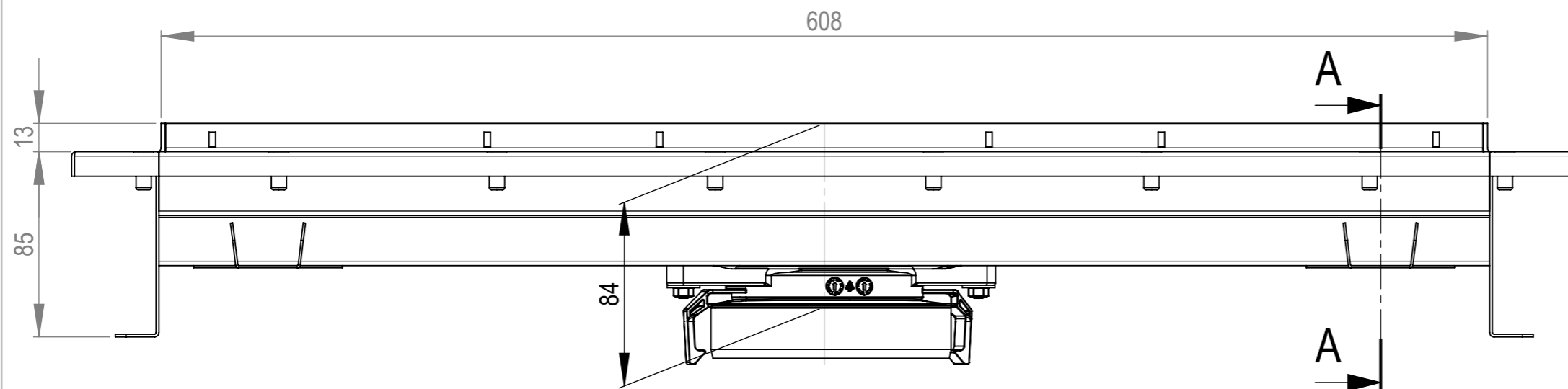
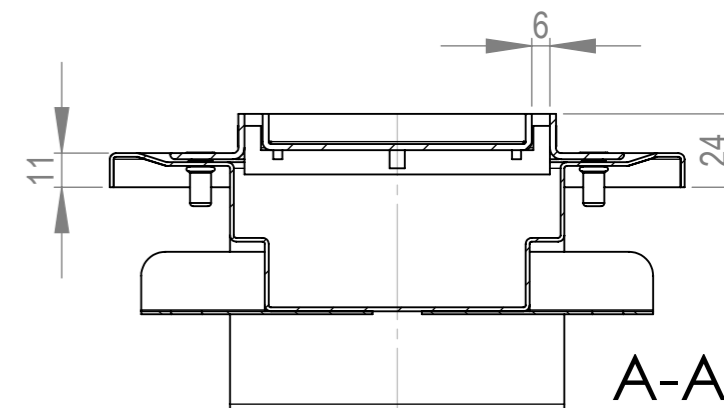
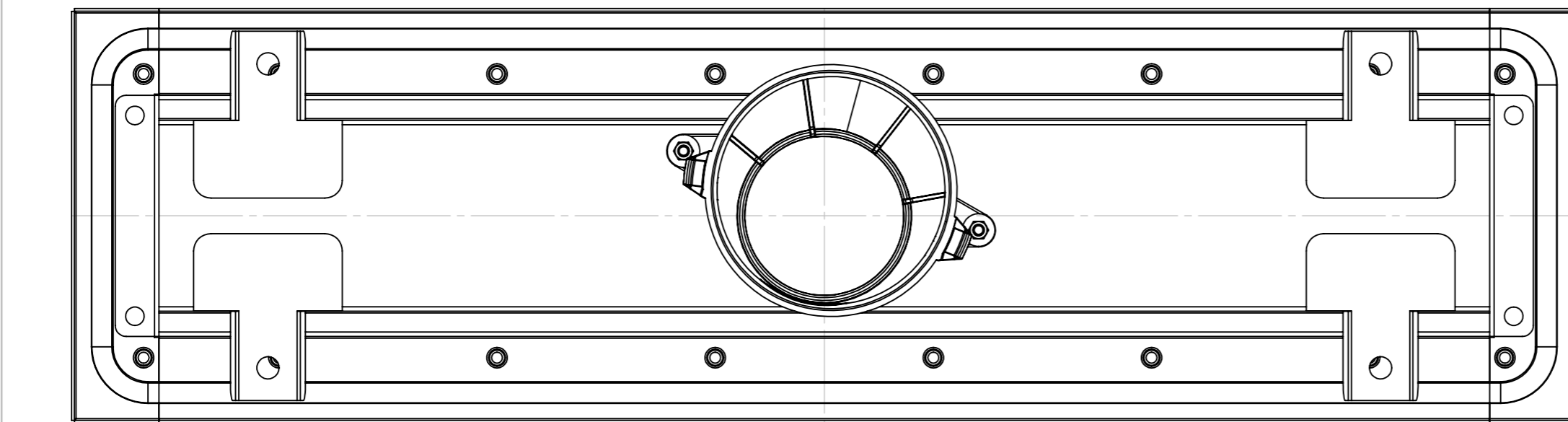


This document must not be copied without our written permission, and the contents thereof must not be imported to a third party nor be used for any unauthorized purpose. Contravention will be prosecuted. Purus AB



Denna handling får ej utan vårt medgivande kopieras. Den får ej heller delgivas annan eller ejlest obehörigen användas. Överträdelse härav beivras med stöd av gällande lag. Purus AB

Annotation	Mittutlopp	A3	This drawing replace	Replaced by	Date
			-	-	-
	Scale	Page	General tolerance, ISO 2768-1	Weight (gram)	Volume (cm3)
	1:2.5	1(1)	medel	-	-
Material	Sammanställning		Surface treatment	Designer	Created date
Purus AB Södra Dragongatan 15 SE-271 39 YSTAD, SWEDEN Ph. +46 104144900 Fax +46 104144996 www.purus.se	Name		-	SWS	2014-01-15
Channel 100 for Tiles Clamping Frame, Central Outlet, Tile Insert			Article no	Edition	
				1	