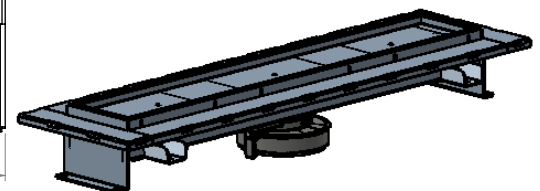
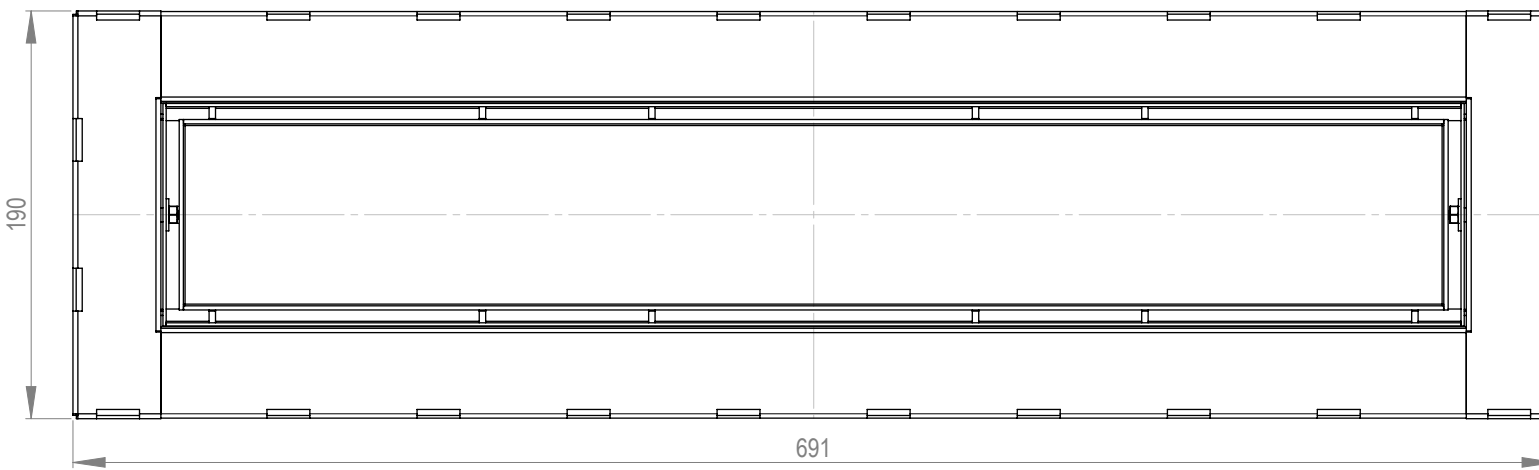
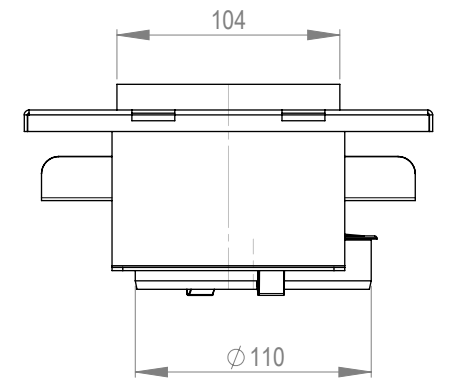
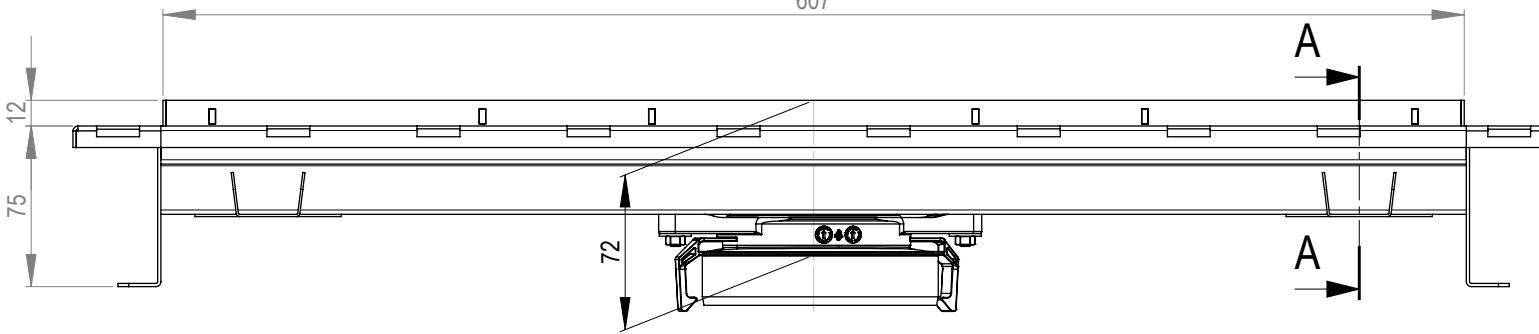
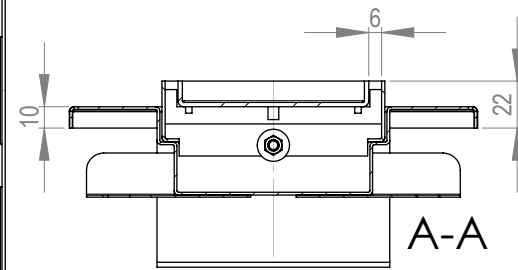
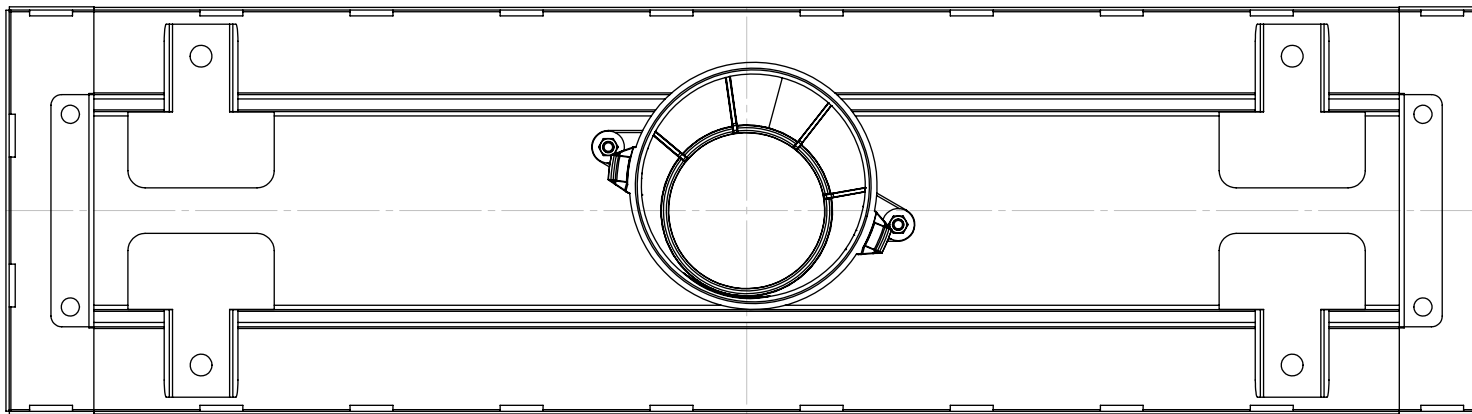



This document must not be copied without our written permission, and the contents thereof must not be imported to a third party nor be used for any unauthorized purpose. Contravention will be prosecuted. Purus AB



Den här handling får ej utan vårt medgivande kopieras. Den får ej heller delgivas annan eller ejlest oerhorgen användas. Överträdelse härav beivras med stöd av gällande lag. Purus AB

Annotation		A3	This drawing replace	Replaced by	Date
		Scale	1:2.5	Page	1(1)
Purus AB Södra Dragongatan 15 SE-271 39 YSTAD, SWEDEN Ph. +46 104144900 Fax +46 104144996 www.purus.se		General tolerance: ISO 2768-1	Weight (gram)	Volume (cm3)	Approved by
Material		Surface treatment	-	Designer	Created date
Channel 100 for Tile Gluing Flange, Central Outlet, Tile Insert, 600mm		-	-	SWS	2014-01-15
					Edition
					1