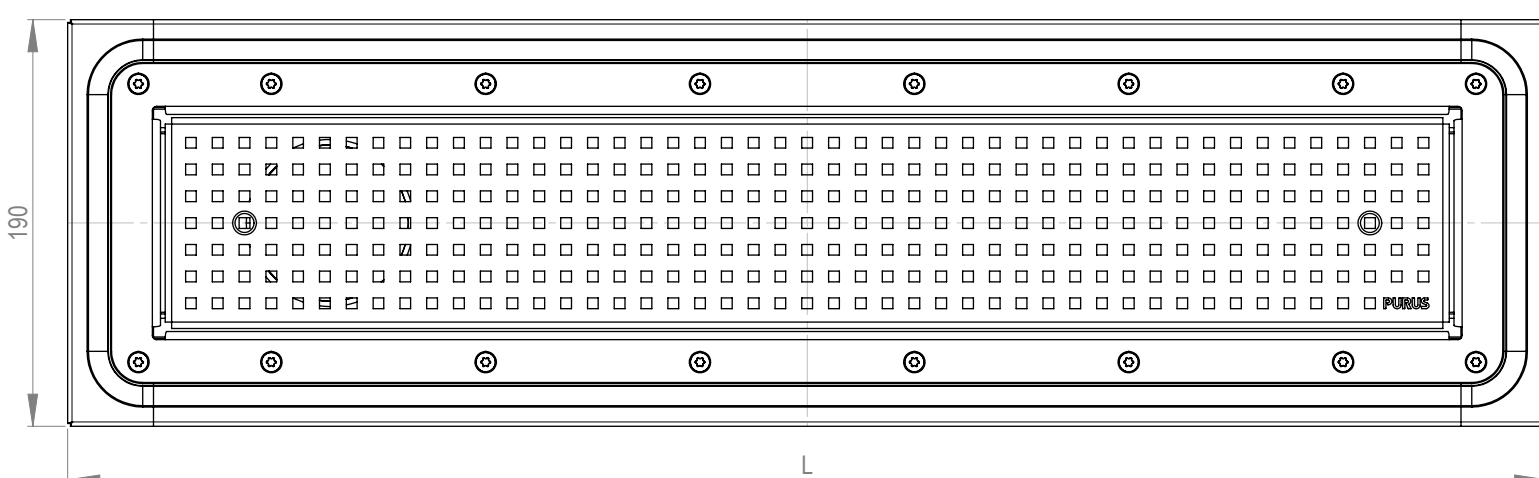
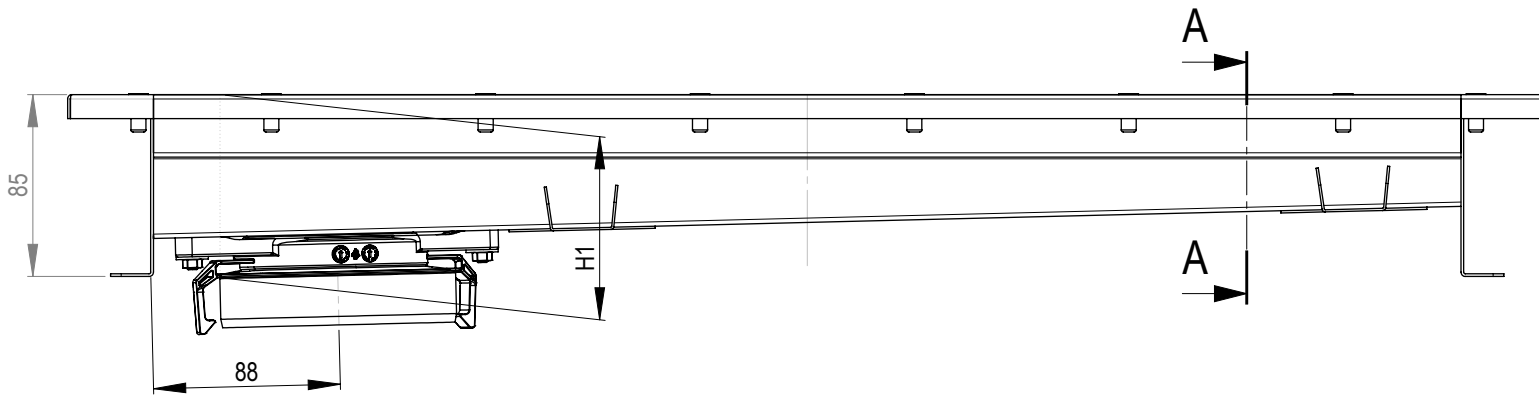
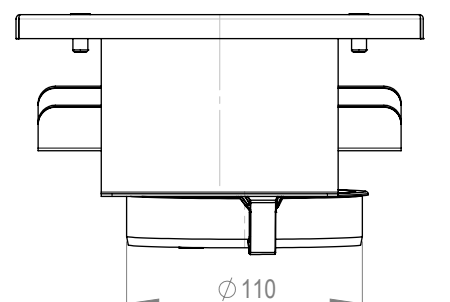
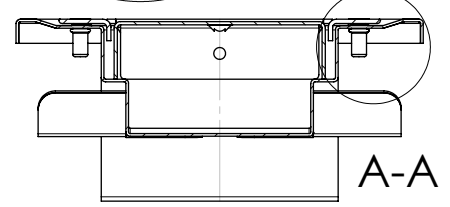
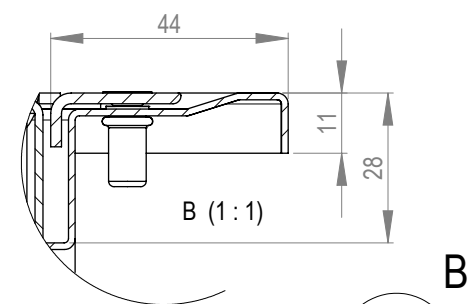
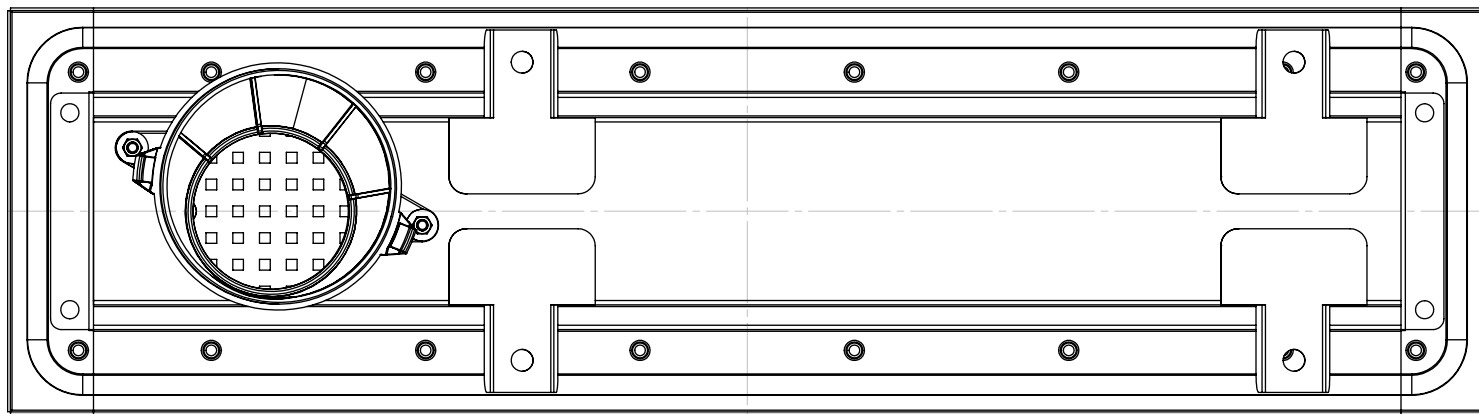
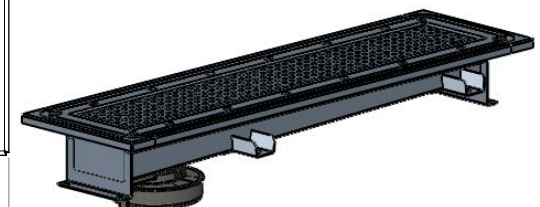



This document must not be copied without our written permission, and the contents thereof must not be imported to a third party nor be used for any unauthorized purpose. Contravention will be prosecuted. Purus AB



Dimension	L	H1
600x100	690	86
800x100	890	86
900x100	990	86
1000x100	1090	86
1200x100	1290	91
1500x100	1590	91
2000x100	2090	96
2500x100	2590	96



Den här handling får ej utan vårt medgivande kopieras. Den får ej heller delges eller eljest obehörigen användas. Överräddelse härav beivras med stöd av gällande lag. Purus AB

Annotation		A3	This drawing replace	Replaced by	Date
		Scale	Page	General tolerance. ISO 2768-1	Weight (gram)
Purus AB Södra Dragongatan 15 SE-271 39 YSTAD, SWEDEN Ph. +46 104144900 Fax +46 104144996 www.purus.se		1:2.5	1(1)	-	-
Material	Surface treatment	Designer	Created date	Volume (cm3)	Approved by
-	-	SWS	2014-01-10	-	-
Channel 100 for Vinyl, End Outlet, 600mm - 2500mm					Edition
					1