

# Kitchen channels

## RESIN FLOORING

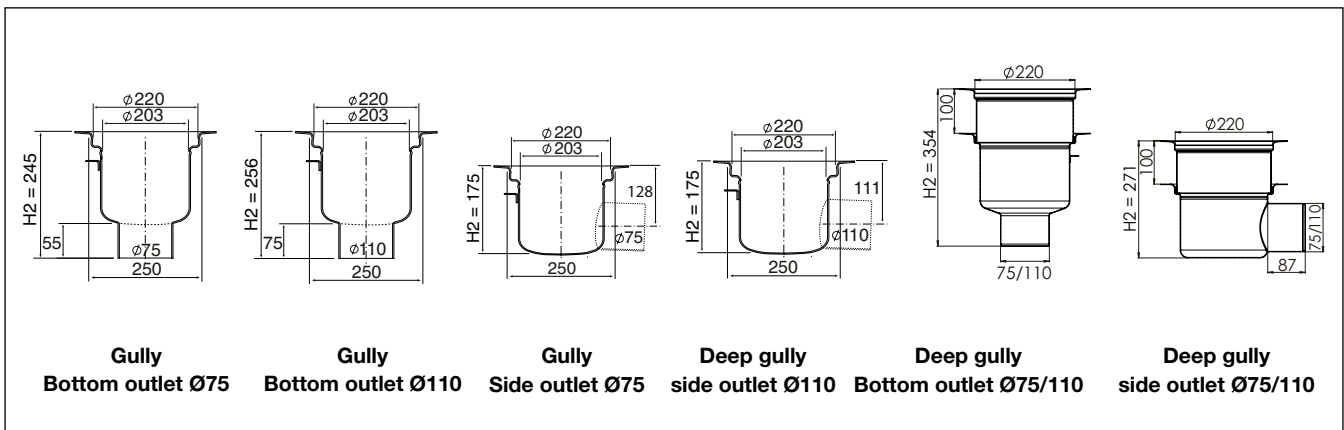
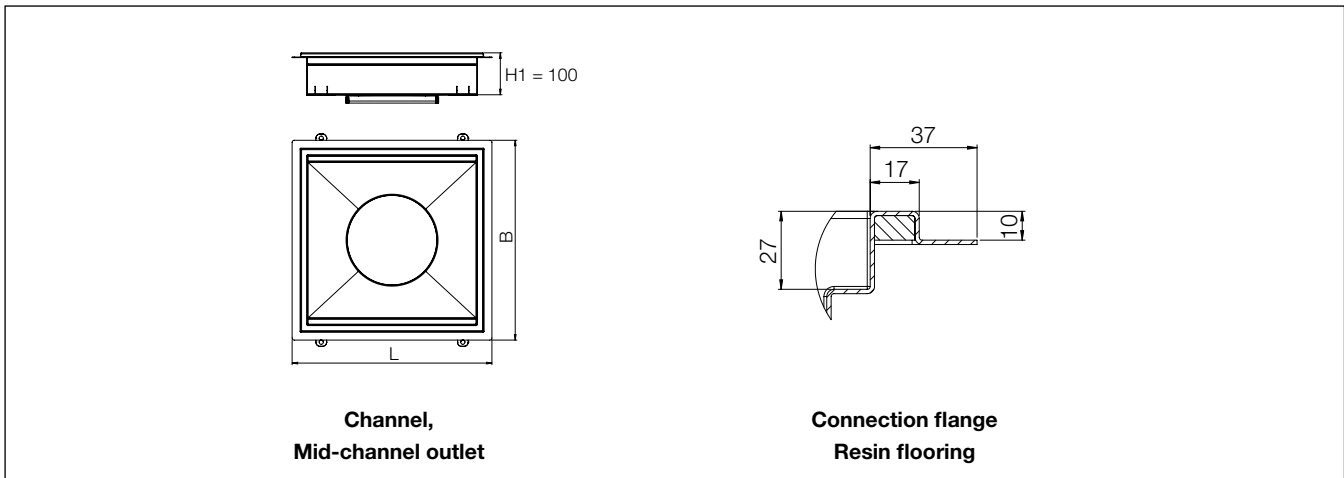
### Channel with L15 grating

Applicable dimensions	L (Total length)	W (Total width)	Volume	Article no.
400x400	475	475	14 litres	PR2540422M
600x400	675	475	21 litres	PR2540622M
800x500	875	575	36 litres	PR2550822M
900x600	975	675	49 litres	PR2560922M

#### Total build height

Add the height of the channel to the height of the gully section (H1 + H2)

Water trap in stainless steel, Purus support, grating Mesh L15 and filter bucket included.



### Gully

Article no.	Outlet	Flow*
300608PR	Side outlet Ø75 inc. water trap/Filter bucket BH50	2.7 l/sec.
300202PR	Side outlet Ø110 inc. water trap/Filter bucket BH50	3.2 l/sec.
301407PR	Bottom outlet Ø75 inc. water trap/Filter bucket BH50	2.7 l/sec.
301001PR	Bottom outlet Ø110 inc. water trap/Filter bucket BH50	3.2 l/sec.
7133618PR	Intermediate piece for deep outlets	+ 0.4 l/sec.

\* Tested with L15 grating, water trap and filter bucket. There is an additional flow of 0.4 l/sec for deep outlets.