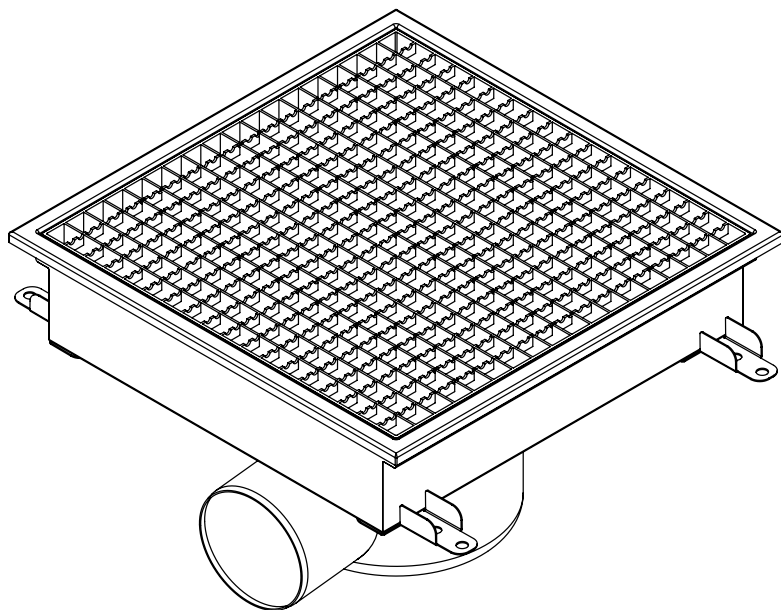


INSTALLATION INSTRUCTIONS

Kitchen channel



Read the installation instructions carefully before installation.

Only a qualified plumber should install the floor channel.

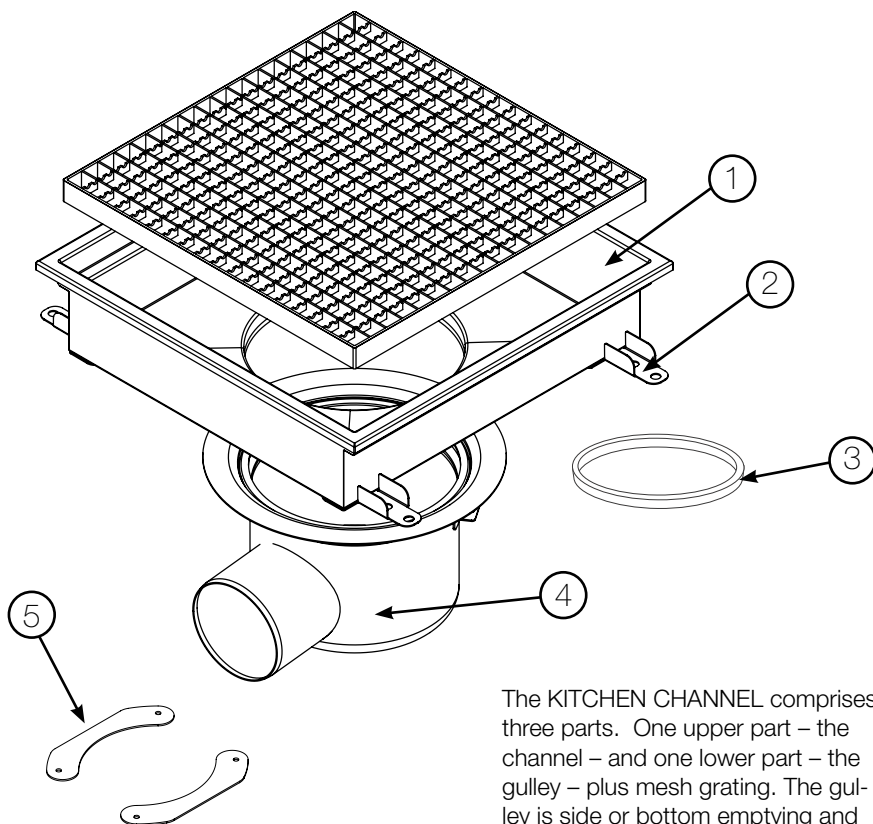


Our ongoing product development may lead to changes in specification for which we accept no liability.



Purus AB is affiliated to the Säkervatten organisation and a member of the Kakelföreningen Tile Association and the Swedish Flooring Trade Organisation.

PURUS



The KITCHEN CHANNEL comprises three parts. One upper part – the channel – and one lower part – the gully – plus mesh grating. The gully is side or bottom emptying and comes supplied mounted on the channel.

Adjust the channel to the right height with the embedding support, see page 3, or with threaded rods fastened to the mounting lugs (2). Alternatively, the channel can be fitted in the recess, see page 3.

When adjusting the gully section (4), the nuts by the two “mounting plates” (5) are loosened and the gully (4) removed and adjusted to the desired angle to the channel (1). Once the gully has been refitted – make sure the sealing collar (3) is installed correctly and that the mounting plates and nuts have fixed the gully securely to the channel.

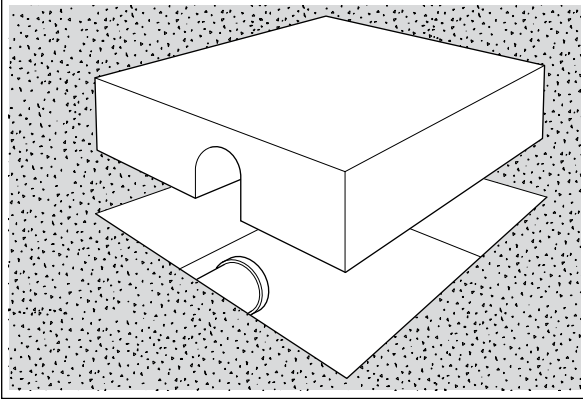
We recommend the installation be performed by a company authorised by the Säker Vatten organisation. Please read our industry standards before you start.

Säker Vatten - www.sakervatten.se

Byggheramikrådet (Construction Ceramics Council) - www.bkr.se

Swedish Våtrumskontroll (Wet Area Inspection) - www.gvk.se

Embedding in concrete beams

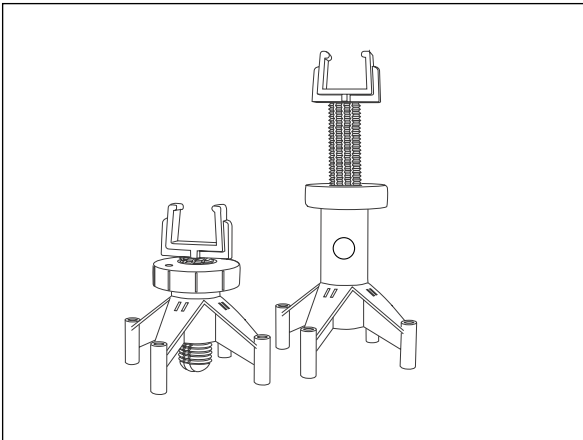


Recessing:

When embedding the drainage pipe, a recess is made that should be approximately 100 mm wider and longer than the outside dimensions of the channel and approximately 50 mm deeper than the total height of the channel.

Once the concrete has hardened, the channel is placed in the recess and coupled to the drain pipe.

Fill the recess with concrete.

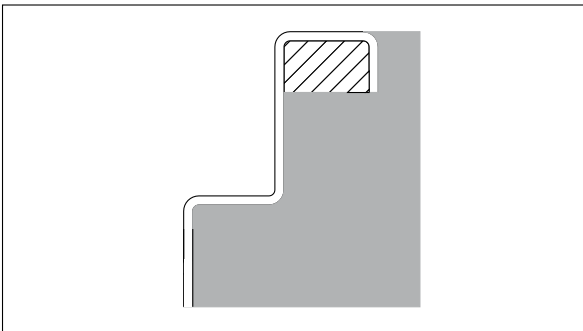


Purus Stabilizer

Nail on the stabilizer feet and turn the nuts to attain the right height.

The height can be adjusted approximately 60 mm. 110 mm with an extra sleeve.

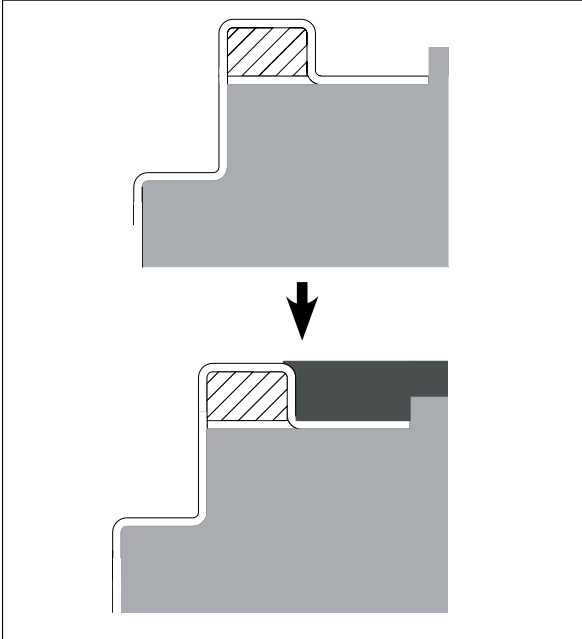
Tie the channel to the rebar with wire so it does not move while pouring the concrete.



Embedding the channel

Pour concrete up to the edge of the flange as illustrated.

Assembly plaster floor



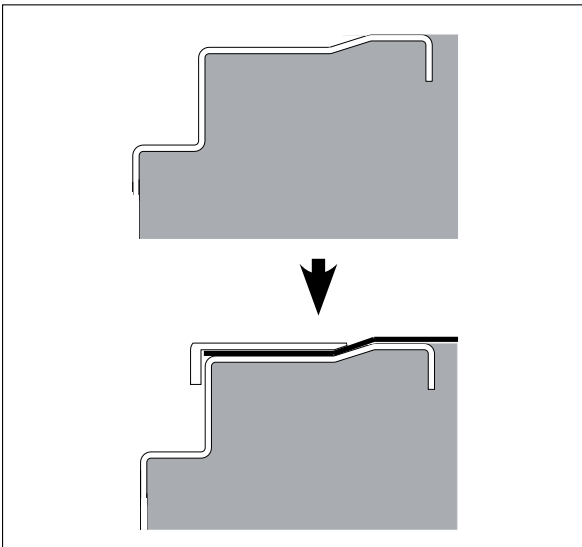
Lay out a strip in order to make a recess in the concrete, see illustration

Pour concrete up to the edge of the strip as illustrated.

Wipe the flange so as to obtain a clean surface on which to apply the compound.

Apply the compound flush with the edge of the flange on top of the channel.

Assembly plastic floor covering

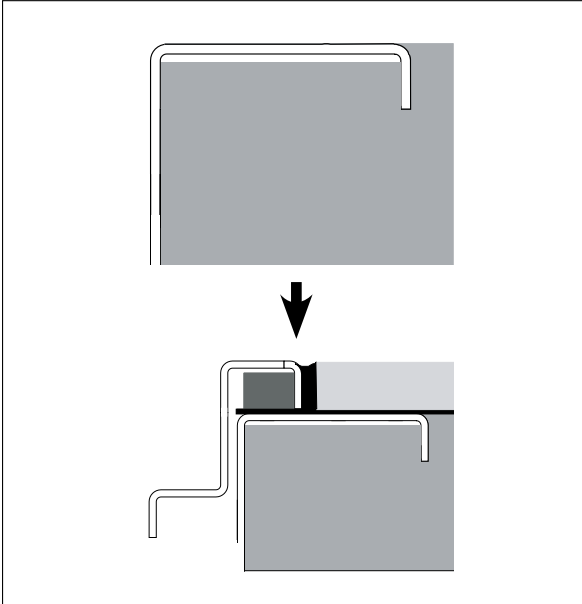


Pour concrete up to the edge of the flange as illustrated.

Wipe the flange clean before laying the plastic floor covering.

Remove the clamping frame before you lay the plastic mat. Cut out an opening in the channel by following the inside edge as shown. NB! Corners must be rounded off as much as possible. Replace the clamping frame. Adjust the clamping frame so that it lies in the intended position. Mark holes in the plastic mat using the holes drilled in the clamping frame and screw the clamping frame using the screws supplied. Make sure the clamping frame holds the mat securely.

Assembly tile floor

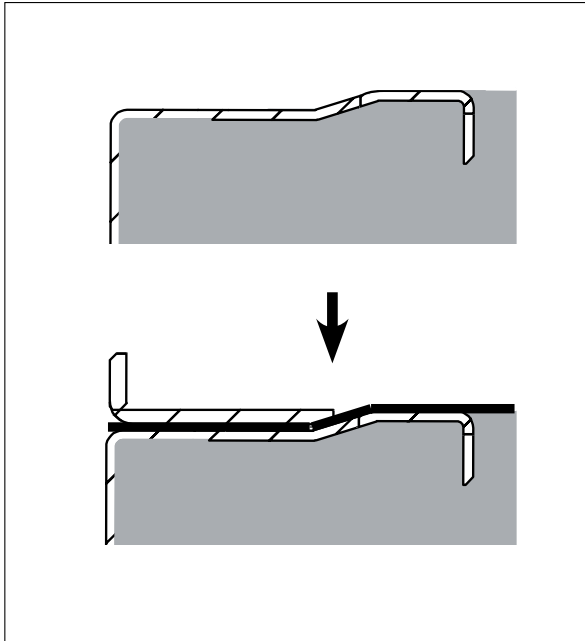


Pour concrete up to the edge of the flange as illustrated.

Wipe the flange so as to obtain a clean surface on which to apply the fixative or lay a sealing membrane.

Push the frame firmly into the fixative so that it reaches the same height as or below the tiles, making sure to add fixative in the cavity of the frame as illustrated.

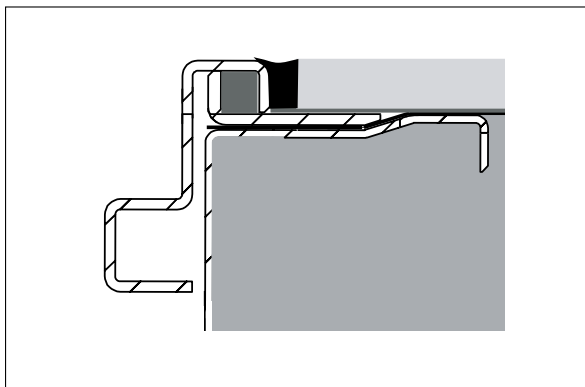
Assembly tiled floor with clamping frame



Pour concrete up to the edge of the flange as illustrated.

Wipe the flange so as to obtain a clean surface on which to apply the sealing membrane.

Remove the clamping frame before laying the sealing membrane. Cut out an opening in the channel by following the inside edge as shown. NB! Corners must be rounded off as much as possible. Replace the clamping frame. Adjust the clamping frame so that it lies in the intended position. Mark holes in the sealing membrane using the holes drilled in the clamping frame and screw the clamping frame using the screws supplied.



Make sure the clamping frame holds the sealing membrane securely.

Push the frame firmly into the fixative so that it reaches the same height as or below the tiles, making sure to add fixative in the cavity of the frame as illustrated.

Carefully read through the industry standards found at

www.sakervatten.se

www.bkr.se

www.gvk.se

Care- and maintenance instructions

Stainless steel channels & gullies

Normal maintenance

Sprinkle some dry powdered detergent, such as washing powder or a mild scouring powder, on the surface. Rub the powder lightly on the steel surface with a damp cloth or sponge. Remove the cleaner thoroughly with cold water, wipe dry the steel surface with a dry soft cloth. Discolouration after drying is an indication that the surface is not clean and the treatment must be repeated.

Heavily soiled surfaces may require several treatments.

Note. Do not rinse the surface with warm water as this will cause discolouration since evaporation can then easily occur. **Do not leave the stainless steel surface to air dry.**

Removing lime deposits

Lime deposits occurring due to the evaporation of water from surfaces can be removed using one of the following solutions.

- Vinegar
- 10% vinegar
- Diluted nitric acid (one part HNO₃ added to 4 parts water)

Note. Good ventilation should be provided for when using nitric acid. The same directions as for handling strong acids otherwise applies. After treating with one of the solutions above, rinse the surface thoroughly with cold water and then dry with a soft cloth; use protective gloves.

Removing rust

Recent rust deposits can be removed from the stainless steel surface can be removed using a mild scouring powder. Rub the dry scouring powder lightly against the steel surface with a damp cloth and then rinse with cold water. Dry with a soft cloth.

If rust has been allowed to remain for a long time on the stainless steel a certain burn-in can occur, resulting in permanent discolouration after the rust has been removed as above.

In such cases brushing with dry nylon fibre brushes or de-rusting with dilute nitric acid, HNO₃, diluted with four parts water is recommended. Rinsing and drying as above.

PURUS

Purus AB
info@purus.se, www.purus.se/gl