

Mini Max - For ceramic tiled flooring

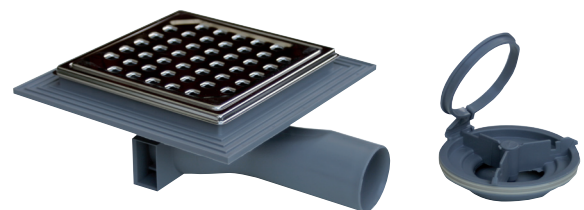
Low-built floor gully



Purus Mini Max is a low-built floor gully - only 70mm high. The trap is a combined water and mechanical trap - Purus Mini Max Nood - and will keep the foul air of the waste pipe system out even after the water has evaporated.

The Nood trap is easily removed for cleaning.

For use with tiled floor covering.



Purus design gratings

Add a new look to your shower area with a designed grating in stainless steel. Available in a number of patterns.

Mini Max - For ceramic tiled flooring

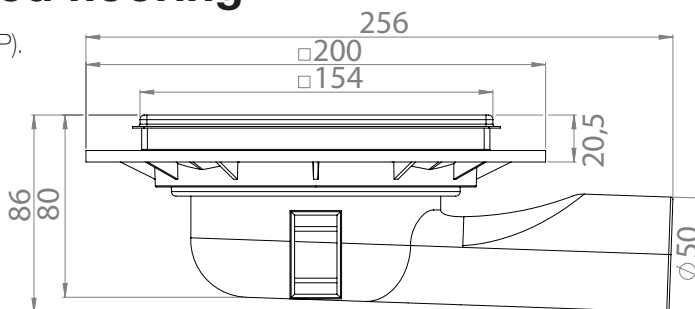
Floor gully with side outlet, made in polypropylene (PP).

- outlet 32mm, 27 l/min.
- outlet 40mm, 45 l/min.
- outlet 50mm, 60 l/min.

Capacity: 0,8 lit/sec.

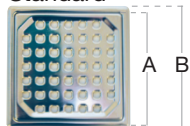
Purus Mini Max has a grating diameter of 130mm

- outlet Ø 32mm and Ø 50mm.



Product description	Dimension	Art.no.
Mini Max 32, floor gully excl. water trap	Ø32mm	153462-010
Mini Max 32, floor gully incl. Nood Mini Max water trap	Ø32mm	153462-110
Mini Max 40, floor gully excl. water trap	Ø40mm	153462-011
Mini Max 40, floor gully incl. Nood Mini Max water trap	Ø40mm	153462-111
Mini Max 50, floor gully excl. water trap	Ø50mm	153462-012
Mini Max 50, floor gully incl. Nood Mini Max water trap	Ø50mm	153462-E
Accessories	Dimension	Art.no.
Mini Max Nood, water trap		153464-546
Mini Max, standard grating	155 x 155mm	713 83 54
Drop, design grating	155 x 155mm	713 83 60
Twist, design grating	155 x 155mm	713 83 95
Wave, design grating	155 x 155mm	713 83 61

Standard



A = 140 x 140 mm
B = 155 x 155 mm

Drop



Twist



Wave



A = 140 x 140 mm
B = 155 x 155 mm

N.B. When connecting the sealing membrane to the gully, follow the instructions from the supplier of the sealing membrane.



Purus floor gullies are approved acc. to the European standard floor gullies, EN 1253. Approved to be installed in all types of wet areas.



Purus is certified acc. to ISO 9001

Our ongoing product development may entail changes in version, design and construction, and we reserve the right to make such changes.

Maintenance

Use only light detergent and a soft brush when cleaning, otherwise the surface might be tarnished. This holds for both the white and metallized products.

Purus AB
info@purus.se
www.purus.se

PURUS