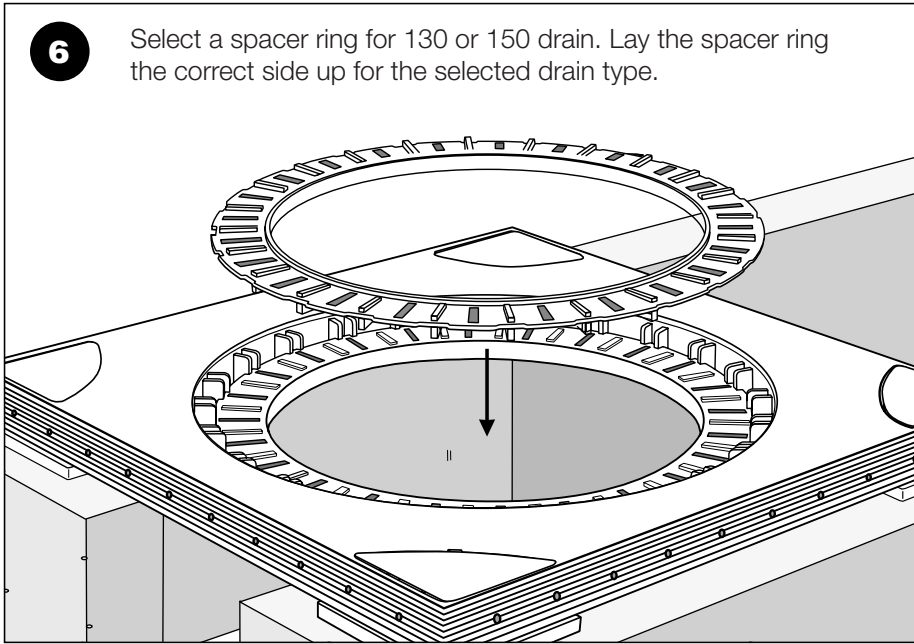


6

Select a spacer ring for 130 or 150 drain. Lay the spacer ring the correct side up for the selected drain type.

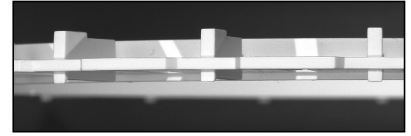


Spacer ring

Plastic floor drain: Lay the ring with the lowest ribs facing up.

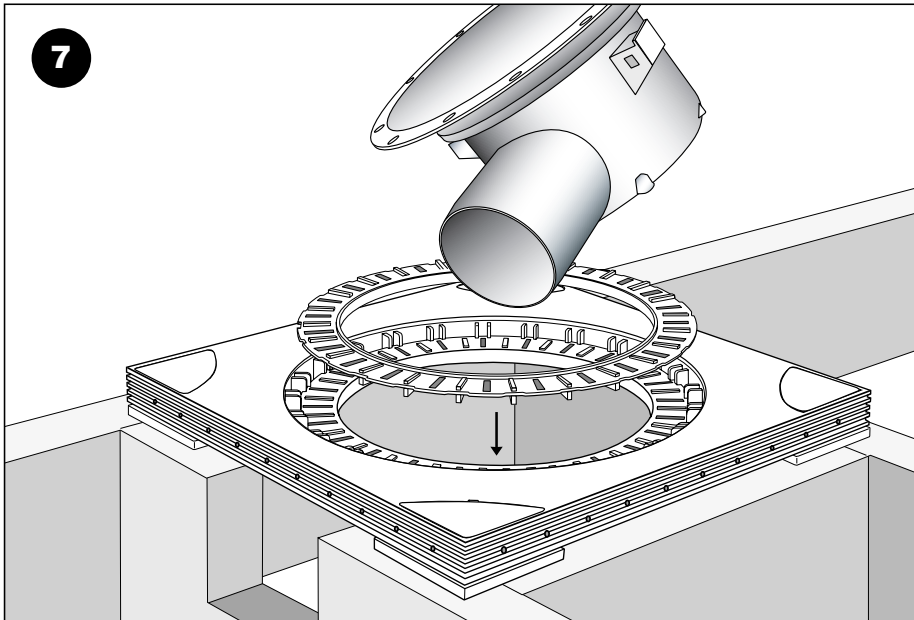
Stainless floor drain: Lay the ring with the highest ribs facing up.

Cast iron drain: No ring is needed.

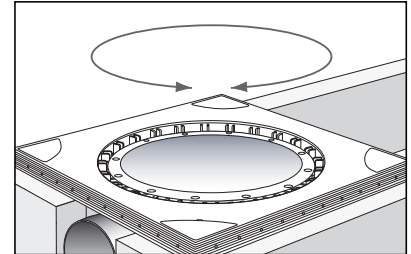


The spacer ring will have ribs of different heights on each side, depending on the floor drain chosen.

7

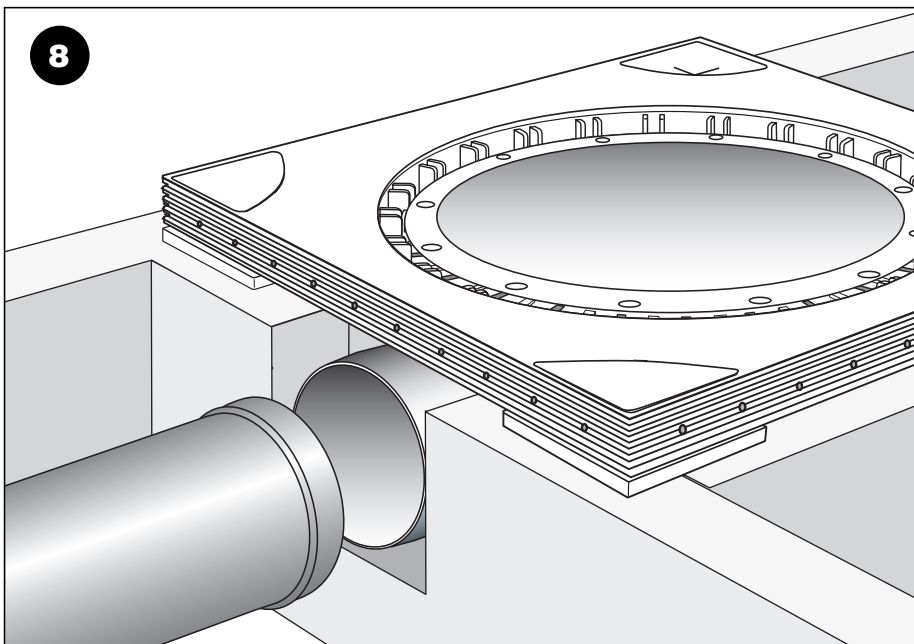


INSTALL THE DRAIN



You can rotate the drain after mounting the locking ring.

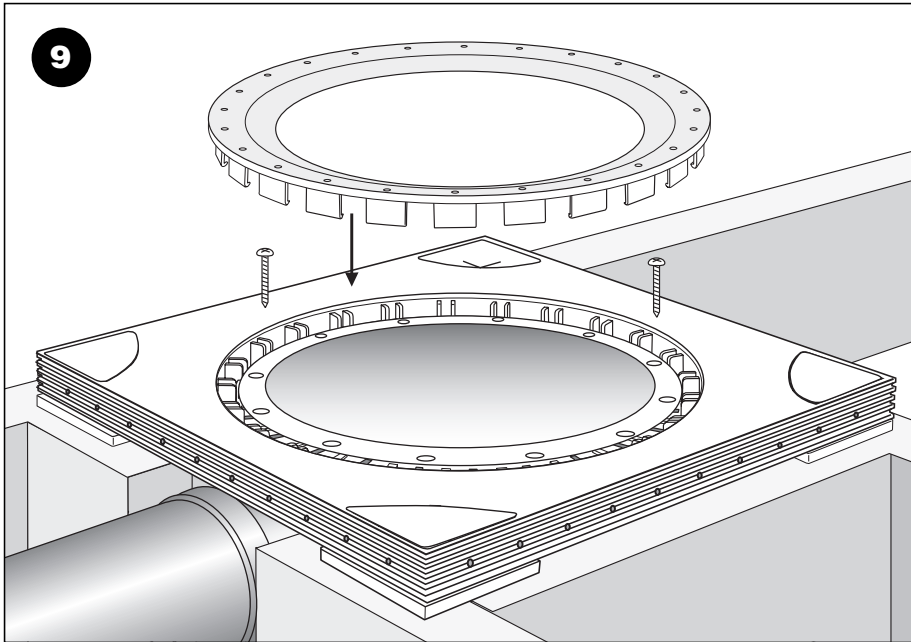
8



CONNECT THE WASTE PIPE.

Note:

You may have to adjust the particle board according to the height of the collar edge on the waste pipe where the floor drain is connected.

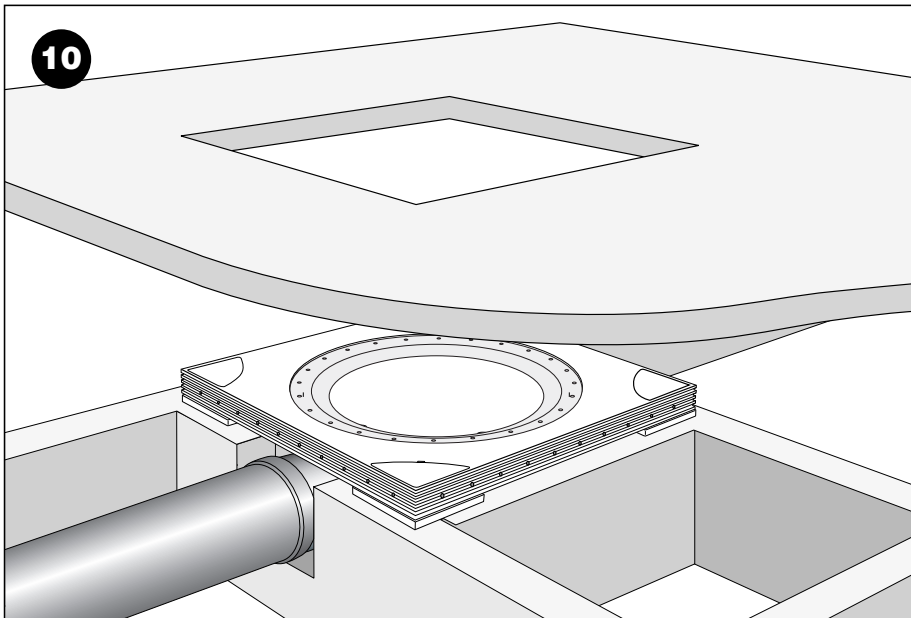


FIX THE DRAIN

After rotating the drain to desired angle, fix/screw the drain with 2 screws, delivered with the plate. (SX 3,5x13 A2). This is only applicable to plastic drains.

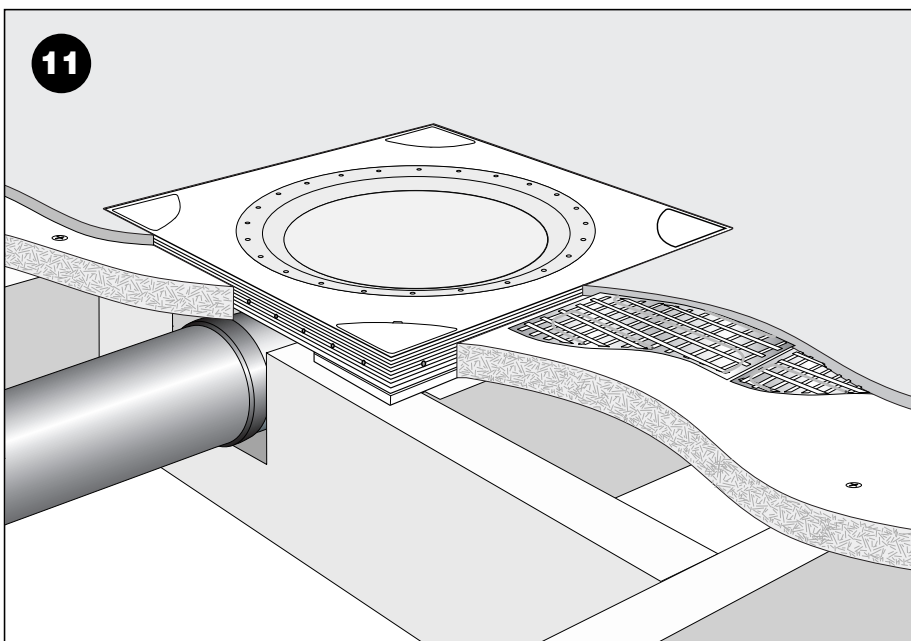
MOUNT THE LOCKING RING

Push the locking ring into place once the floor drain is in position.



MOUNT PARTICLE BOARD

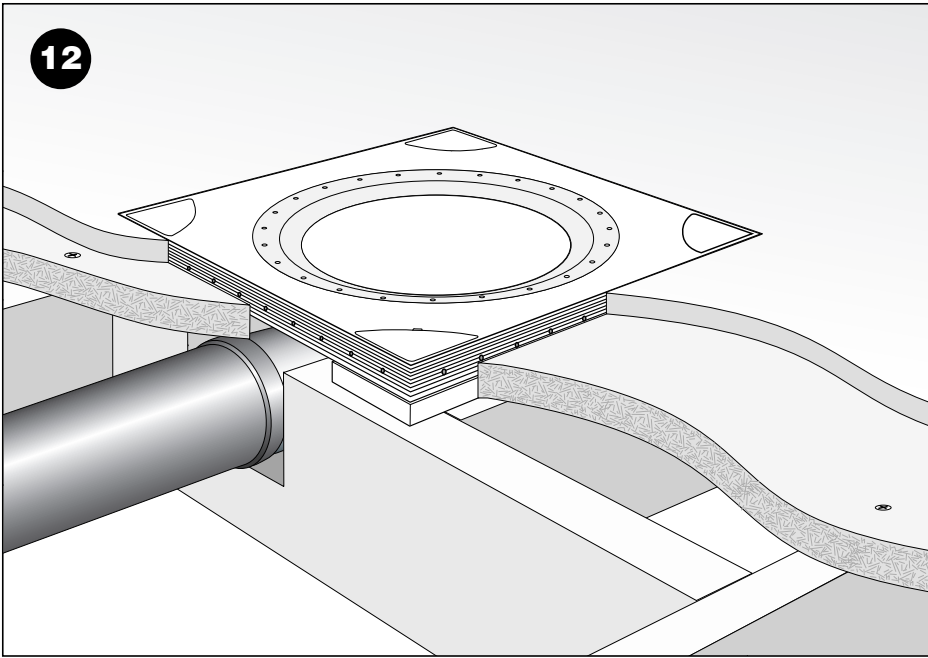
If laying the flooring (plastic mat) without spacers directly on the particle board, proceed to point (13) on the next page.



OPTION 2 FLOORING+LEVELLING COMPOUND WITH LOW- BUILDING HEATING CABLE.

For floors with flooring and levelling compound for laying lowbuilding cable, mount the plate with 6 mm spacers and the levelling compound with a minimum of 6 mm around the floor drain.

Fasten the heating mat/cable as per the manufacturer's instructions and then apply the levelling compound. The Purus Plate Multi is produced in ABS and this makes it possible to putty out on the plate with a good adhesiveness.

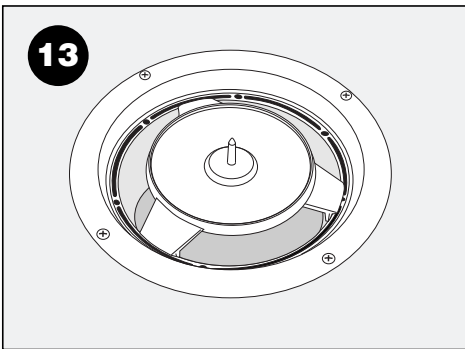


OPTION 3 LEVELLING COMPOUND/ FLOOR BOARD + GLAZED TILE

For floors with tiles on the particle board, mount 13 mm spacers to facilitate the laying of levelling compound/floor boards.

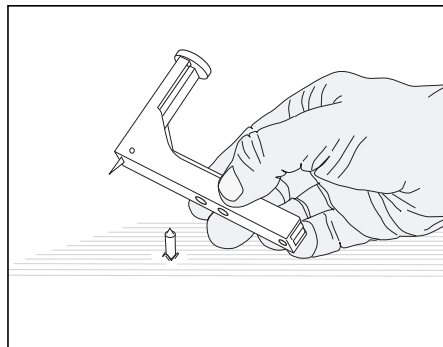
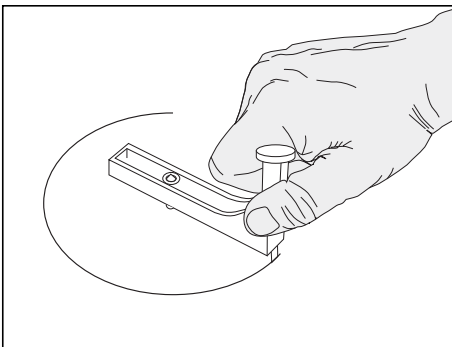
With 13 mm spacers, the floor drain's collar ends up above the sealing membrane, and you do not have to mount an elevation ring. The Purus Plate Multi is produced in ABS and this makes it possible to putty out on the plate with a good adhesiveness.

The floor is now ready for laying according to GVK: Safe Wet Room and BBV's Industry Regulations



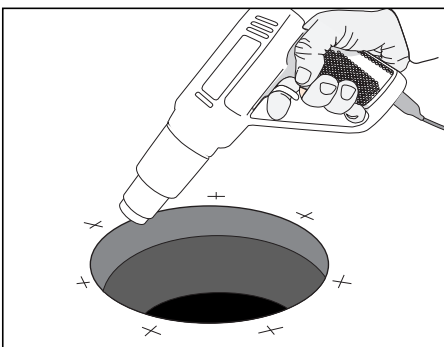
To connect the plastic mat or drain sleeve, we recommend that you always use the PURUS knife.

Note: Place the underside of the PURUS knife in the drain before mounting the plastic mat/drain sleeve!



LAYING FLOORING.

Mount the plastic mat/floor drain sleeve according to the installation instructions accompanying the floor drain.



Note: Illustration examples from the installation instructions accompanying the PURUS knife.

PURUSPLATTAN MULTI 300, RSK 713 36 90, of gluable ABS plastic comes with plate dim. 300 x 300 mm, H=22 mm, and 4 pc. spacers H=13 mm and 4 pc. H=6 mm and 4 pc. covers.

Additional spacers may be obtained if you require other heights than these. Note: When using additional spacers, you should choose a drain with a bottom outlet. See our catalogue or www.purus.se/gl

Spare parts

Qty. in package	Item	ART no.
1	Mounting plate	
1	Distance ring 150	713 36 92
1	Distance ring 130	713 36 93
1	Locking ring	713 36 94
8	Spacer 6/13 mm	713 36 91
4	Cover	713 36 95

Extract from BBV: Industry Rules

STRENGTHENING WITH LEVELLING COMPOUND

Levelling compound must be cement-based or plaster/anhydrite-based according to current product standard*, designed by the manufacturer for a wooden base and with properties that improve rigidity when bending. Layer thickness min. 12 mm at floor drain.

Reinforce bottom levelling compound with spot-welded, corrosion-proof, steel net, wire diameter min. 2.5 mm and 50-100 mm mesh spacing or with reinforcement of alternative material with similar properties. Reinforcement is needed to eliminate the risk of cracks in the transitional layer between the wood and levelling compound.

The steel net should be lengthened using an overlap according to the sealing membrane manufacturer's instructions.

The floor drain's vertical position must be adjusted, because sealing the membrane to the floor drain is done at the level of the sealing membrane's underlay.

Extract from GVK's Safe Wet Room Industry Regulations

REINFORCEMENT OF UNDERLAY

To protect the outer layer from damage due to neglect and moisture, the underlay must be checked to ensure it has the proper dimensions.

Even when the outer layer does not make increased demands of the rigidity in the underlay (e.g. in the case of plastic as outer layer and sealing membrane), consider dimensioning the underlay so that it can be complemented subsequently with a ceramic outer layer.

The following also applies: For ceramic tiling on wooden joists (max. c 600), the particle board must be at least 22 mm thick and have a high moisture tolerance (V 313). The particle board must have a moisture quota of 6-10%.

The particle board must be reinforced with a dimensionally stable board construction that is glued across the entire floor or with a dimensionally stable levelling compound of minimum 12 mm.

In wet rooms where there will also be a gradient, dimensionally stable levelling compound is preferred.

PURUS

Purus AB
info@purus.se, www.purus.se/gl
