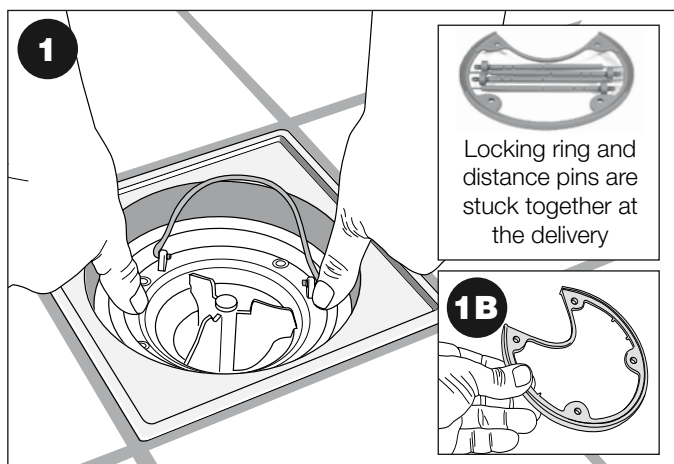
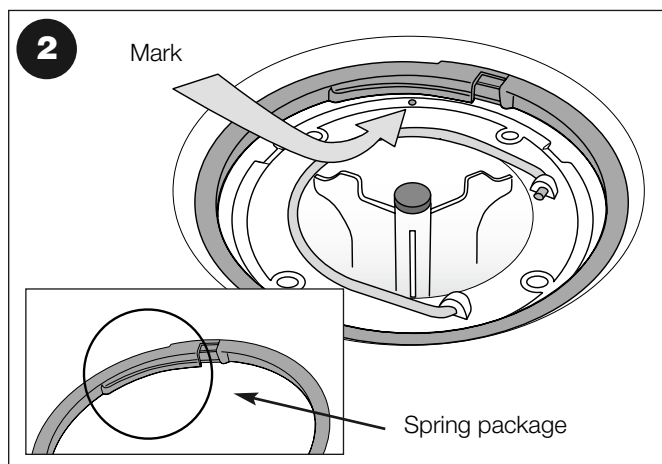


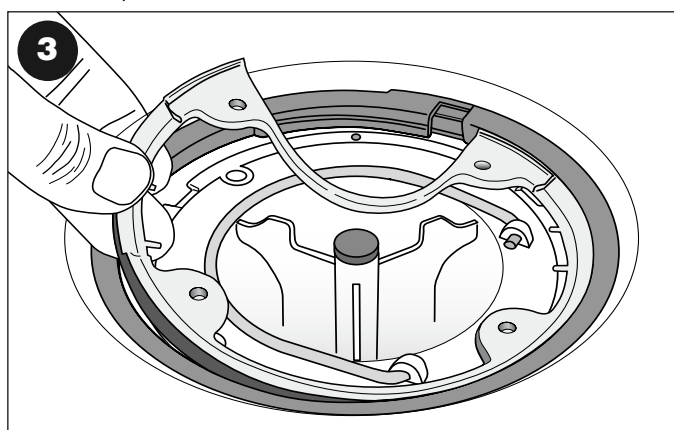
Installation instruction for water trap NOOD



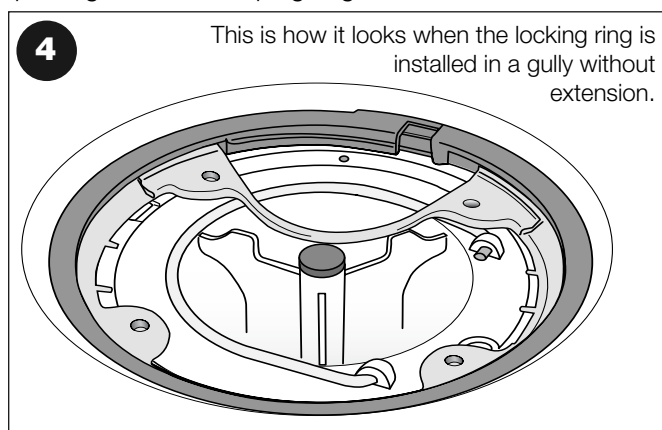
The water trap NOOD is pressed down in the gully.
(1B) The distance pins are cut off as close to the inside radius as possible.



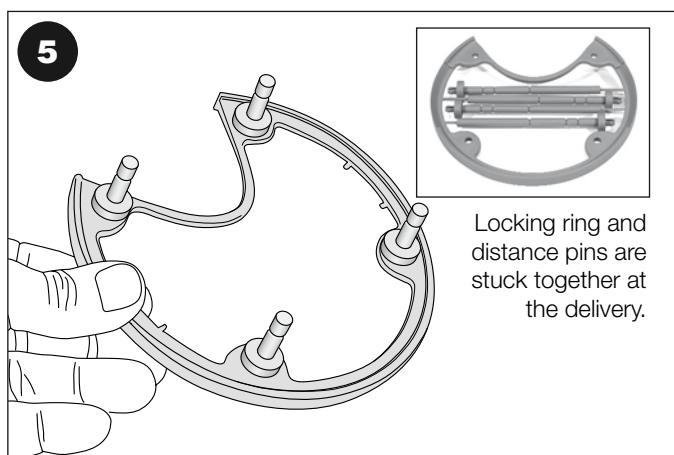
The Nood water trap shall be installed so that the mark (round recess) is placed straight under the spring package on the clamping ring.



One side of the locking ring is pressed down under the edge of the clamping ring and then squeezed together radially and after that the other side is pressed down under the edge of the clamping ring.

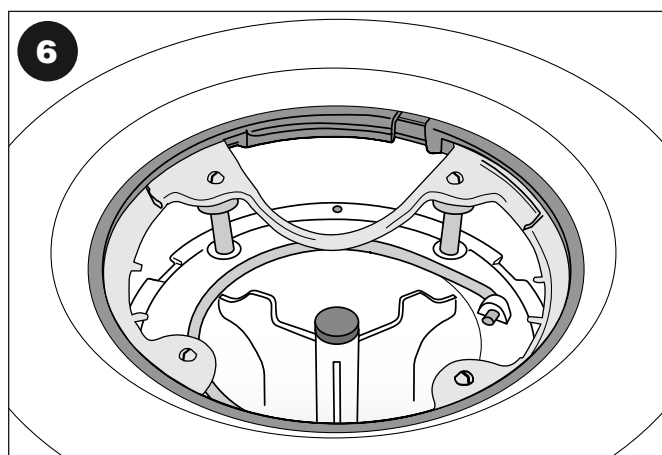


The whole locking ring shall now be under the clamping ring. When installing in a gully with extension – check so that the cut end on the distance pins goes down in the four holes on the upper edge of the water trap.



The distance pins are cut off as close to the inside radius as possible. When installing in a gully without extension, the distance pins are not used. When installed in a gully with extension, the distance pins are to be used as follows:

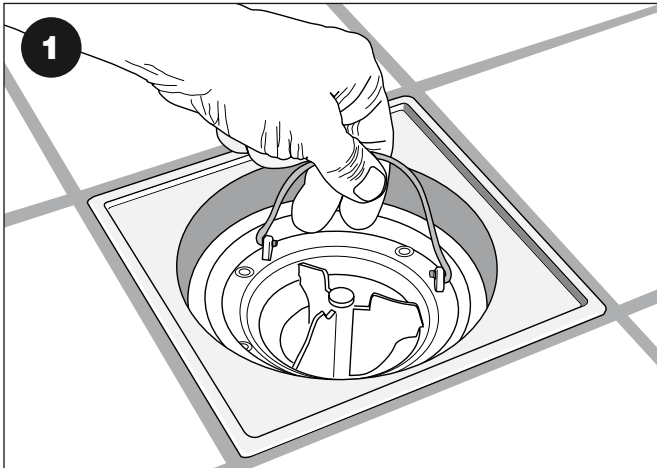
Extension FHP 13	= notch 1
Extension FHP 25	= notch 2
Extension FHP 50	= notch 3
Extension FHP 100	= cut off the thin section



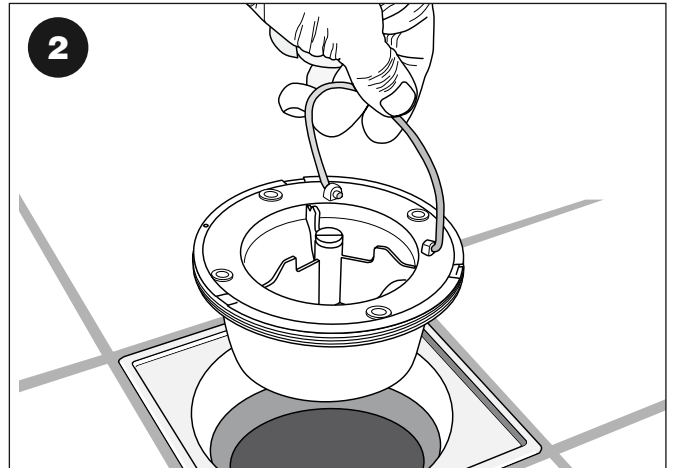
This is how it looks when the locking ring is installed in a gully with extension.

Maintenance instructions for water trap NOOD

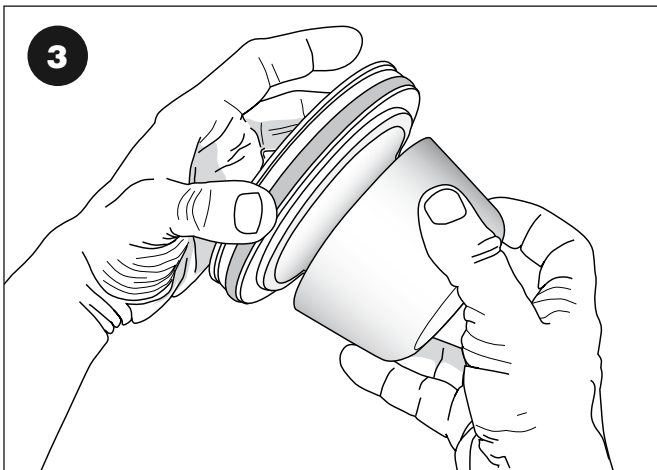
Version 05.2009



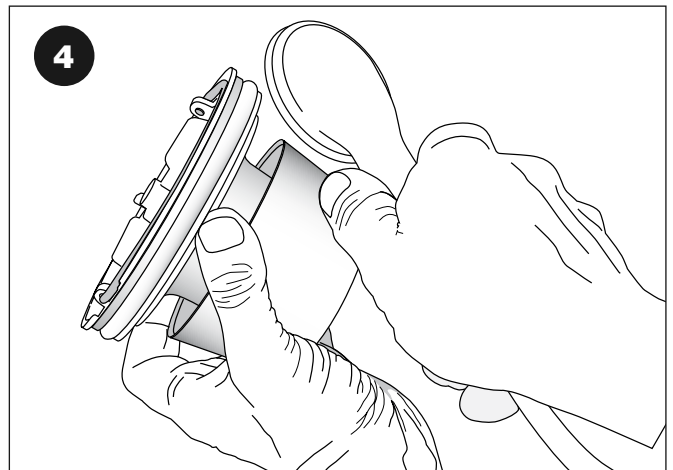
1 Remove the grating (you might need a small screwdriver) and put it aside. Turn up the handle on the water trap.



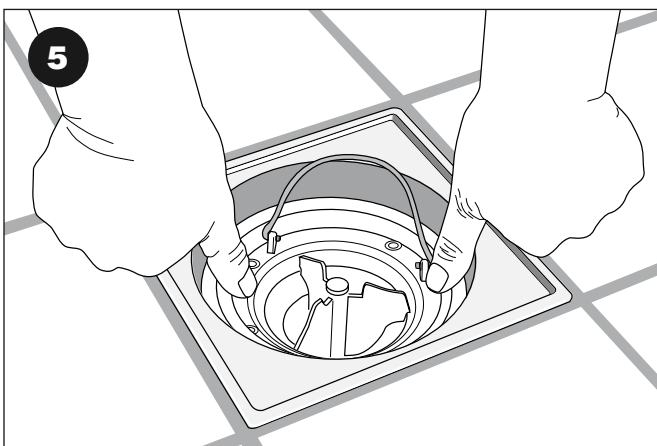
2 – Lift up the water trap. (It could be stiff, if it has not been removed in a long time).



3 Draw the springloaded cup carefully down.



4 - Keep the cup in open position with two fingers, while the inside is flushed clean with water.
- Use a small brush if necessary.
- When the water trap is clean, reinstall it again.
- Smear the rubber gasket with i.e. soap before installing.



5 - Press down the water trap thoroughly.
- Flush and clean also the gully.
- Reinstall the grating.

PURUS

Purus AB
info@purus.se, www.purus.se/gl