

# PURUS



Purus  
Line  
Premium  
Tile Insert

**Discrete.**  
Smart designs  
do not have to  
be visible.

## **Purus Line Premium**

The discrete floor gully without visible edges which gives an exclusive overall impression in your bathroom. Premium can be positioned against the wall and that gives you an even and level floor surface which means that you do not have to stand on the gully while you are showering.

## **Smart designs do not have to be visible**

A floor gully does not necessarily have to be round and placed in the middle of the floor. Instead allow the gully to become part of the bathroom planning from the very start. Premium provides you with a greater choice of floor tiles. You can now use the same large tiles in the shower as the rest of the bathroom without having to cut the tiles to get a good slope towards the gully.

## **Quality, safety and functionality**

Premium has the same technology, quality and safe functions as our traditional floor gullies. A practical hair strainer and the NOOD water trap are included in all our designed floor gullies. The water trap provides protection against backwater and also acts as an odour stop, perfect if you are away from home for a while.

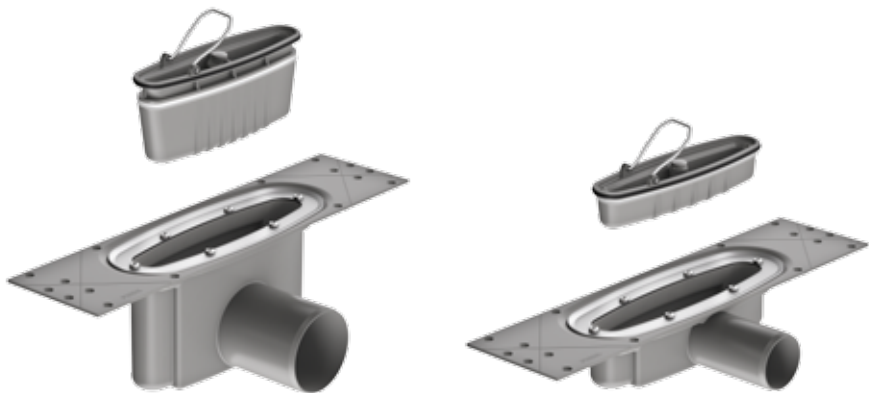
Freedom of  
choice

## Under the floor Purus Line Premium

---

### New outlet houses

The new outlet houses enable you to get closer to the wall. They are also made as one complete part. The Purus NOOD water trap is included and gives a secure odour-free installation.



Safety



---

Possibility of using large  
floor tiles in the shower.

Leaves room for your  
personal style.

Discrete, smart, flexible.  
And without visible edges.

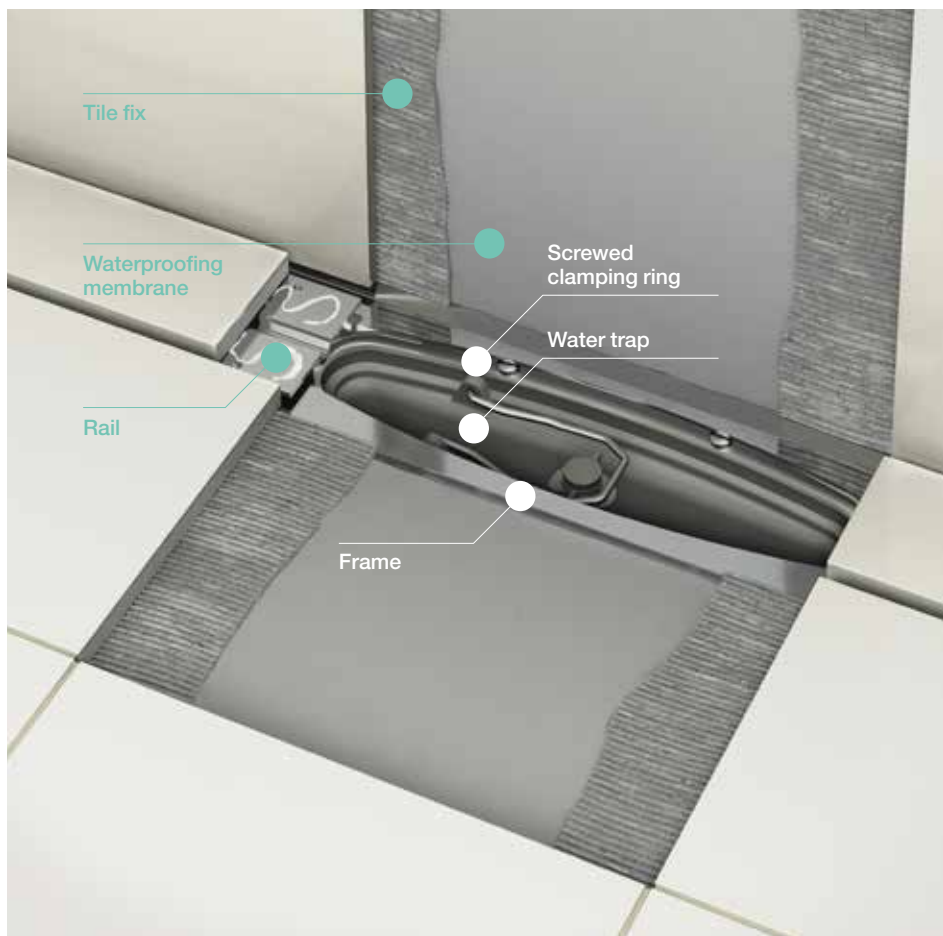
---

The result of the latest technology.

The same safe functions as our traditional floor gullies.



# Installation of Purus Line Premium





**Purus AB**

[info@purusinternational.com](mailto:info@purusinternational.com)

[www.purusinternational.com](http://www.purusinternational.com)

Purus is a leading supplier of kitchen and bathroom solutions. With a focus on our customers' needs, we develop and manufacture a wide range of innovative and functional products.

