

S-series

New floor
gully series



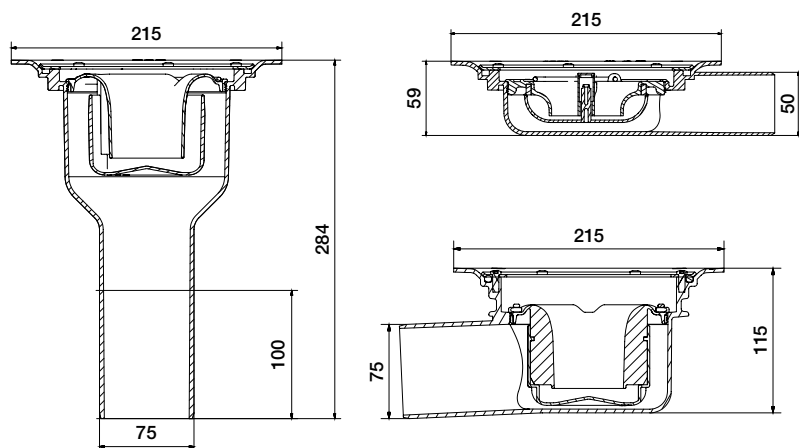
**New stainless steel
screwed clamping ring for a secure,
tight bond to waterproofing membranes
and vinyl flooring.**



The **S-series MiniMax** has a unique low mounting height - only 59 mm. In addition, it is fitted with the Purus NOOD water trap (water trap with odour stop) which prevents odour if the water trap dries out. **S-series Oden** and **Brage** can be fitted with the NOOD water trap as an accessory.

Name	RSK no.	Height	Flange diameter	Flow
S-series MiniMax Ø50	711 04 06	59 mm	Ø215 mm	Min 0,8l/s (Not recommended for connection of baths)
S-series Oden Ø75	711 04 05	115 mm	Ø215 mm	Min 0,8l/s
S-series Brage Ø75	710 34 39	284 mm	Ø215 mm	Min 0,8l/s

Dimensions



Advantages

- **Stainless steel screwed clamping ring with six screws specially designed for waterproofing membranes.**
- **Also works for vinyl flooring.**
- **Stainless steel grating for vinyl flooring.**
- **The Purus NOOD water trap is included as an optional accessory.**
- **Many screw holes for simplest possible installation – if needed, there are new screw holes round the entire perimeter of the gully.**
- **Low seat (7 mm).**
- **Low mounting height (min. 59 mm)**

Product name:	Purus S-series
Material:	White, PP
Grating diameter:	Ø 174 mm (supplied without grating)
Clamping ring:	Stainless steel 2 mm with 6 screws (torx)
Accessories:	NOOD water trap Purus supporting legs S-series Drop, grating for vinyl flooring RSK 712 95 07

S-series Drop
Grating for
vinyl flooring
RSK 712 95 07



Our on-going product development may lead to changes in execution, design and construction, for which we accept no liability.



Purus
is ISO 9001
certified

Purus AB
info@purusinternational.com
www.purusinternational.com