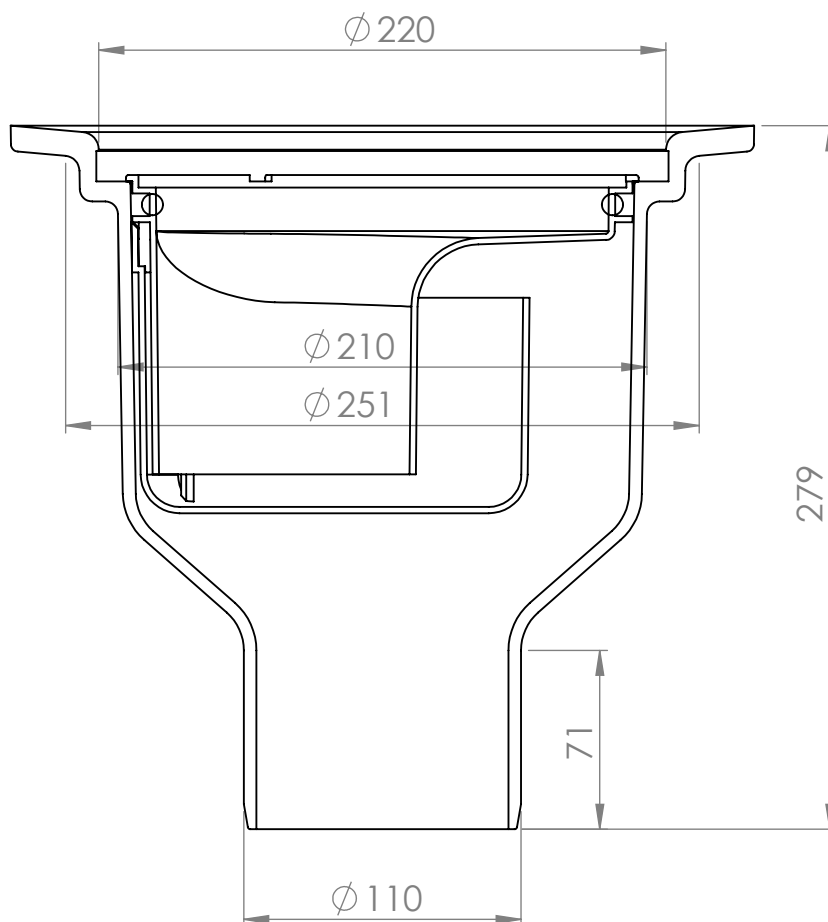
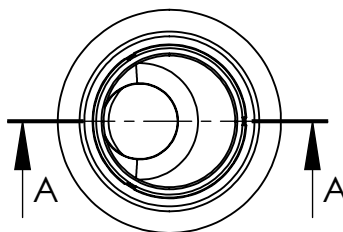


This document must not be copied without our written permission, and the contents thereof must not be imported to a third party nor be used for any unauthorized purpose. Contravention will be prosecuted. Purus AB



RSK 7102827



Den här handling får ej utan vårt medgivande kopieras. Den får ej heller delgivas annan eller eljest obehörigen användas. Överträdelse härav beivras med stöd av gällande lag. Purus AB

| | | | | | | | | | |
|---|--|--------------|--------------|--|---|-------------------|------------------|----------------------------|--|
| Annotation - | | A4 | | This drawing replace - | | Replaced by - | | Date - | |
| PURUS Purus AB Södergatan 7 SE-275 31 SJÖBO, SWEDEN Ph. +46 41625700 Fax +46 41625720 www.purus.se | | Scale 1:3 | Page 1(1) | General tolerance. ISO 2768-1 medel | Weight (gram) - | Volume (cm3) - | Approved by - | Date - | |
| Material Sammanställning | | | | | Surface treatment - | | Designer SwS | Created date 2011-02-25 | |
| Name PURUS HEAVY 110 E | | | | | Article no Måttskiss 7102827 PURUS HEAVY 110 E | | Edition 1 | | |