

Ymer

Low-built floor gully in PE-HD with outlet \varnothing 50 or \varnothing 75mm



Purus Ymer floor gully is only 99mm high.
Suitable for concrete installation.
It is made in PE-HD and is also suitable for
welding to PE-HD waste water pipes.

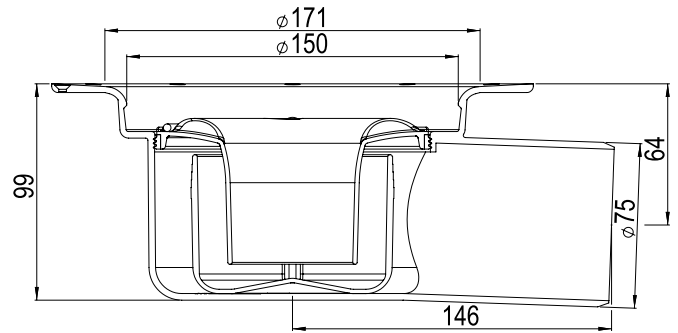


Ymer

Floor gully with side-outlet of polythene plastic (PEH), low building-height 99mm. Removable water trap.

- grating Ø 150mm
- outlet Ø 50mm
- outlet Ø 75mm

Capacity: 0,8 lit/sec



Product description	Dimension	Art.no.
Ymer 50, floor gully incl. Tyr water trap	Ø 50mm	711 35 45
Ymer 50, floor gully excl. water trap	Ø 50mm	715 24 71
Ymer 75, floor gully incl. Tyr water trap	Ø 75mm	711 35 46
Ymer 75, floor gully excl. water trap	Ø 75mm	715 24 72
Articles included		Art.no.
Tyr, water trap of plastic		711 80 69
Clamping ring, automatic adjusting, KL 150		714 13 15
Grating drop of plastic, 150		713 84 46
Accessories		Art.no.
Nood, water trap (of plastic)		713 84 48
Airtight inner seal (of plastic)		713 84 18
Extension rings		
Purus mounting plate *)		713 36 90
Purus casting supports		714 13 45
Purus knife		711 35 94
Gratings Ø 150, stainless steel for vinyl flooring		
Frames/gratings in stainless steel for tiled flooring		
Resin floor adapter		713 38 95

N.B. When connecting the sealing membrane to the gully, follow the instructions from the supplier of the sealing membrane.

When installing in tile flooring, change the circular grating into a Purus Tile frame. Several models are available.

Other types of flooring:

Concrete flooring: use grating Art no 713 83 41

Resin flooring: use PM ring

***) N.B.** The Purus plate Multi does not fit well with the Purus Freja gully when installing tiles, because the outlet pipe could come up too high for the socket connection.



Purus floor gullies are approved acc. to the European standard floor gullies, EN 1253. Approved to be installed in all types of wet areas.



Purus is certified acc. to ISO 9001

Our ongoing product development may entail changes in version, design and construction, and we reserve the right to make such changes.

Maintenance

Use only light detergent and a soft brush when cleaning, otherwise the surface might be tarnished. This holds for both the white and metallized products.

Purus AB
info@purus.se
www.purus.se

PURUS