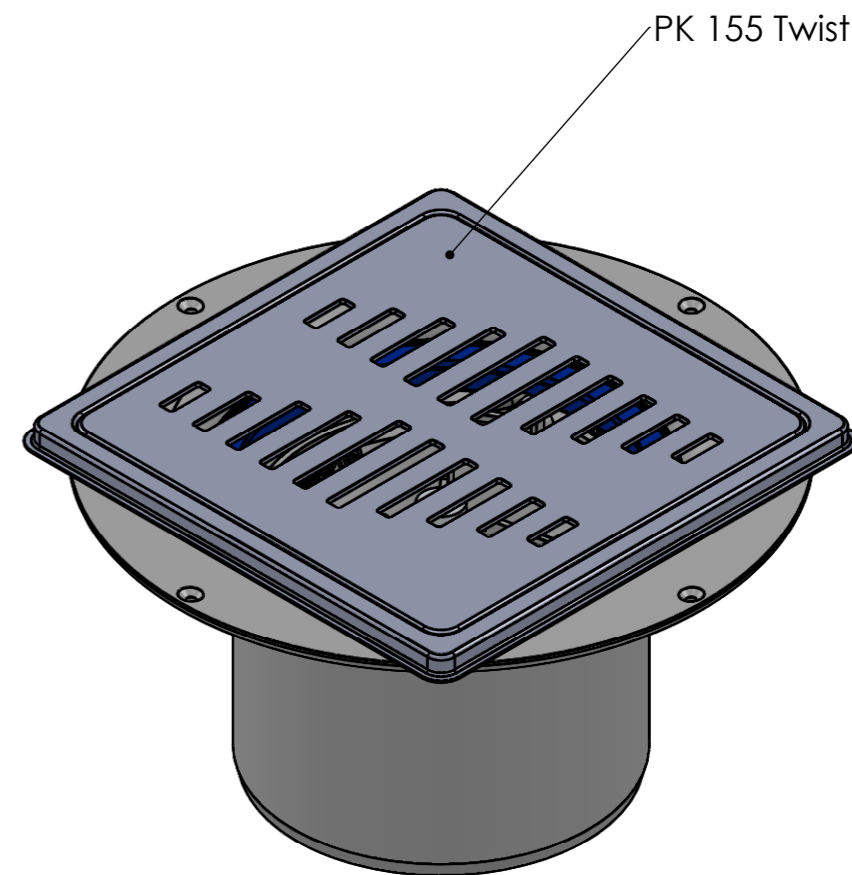
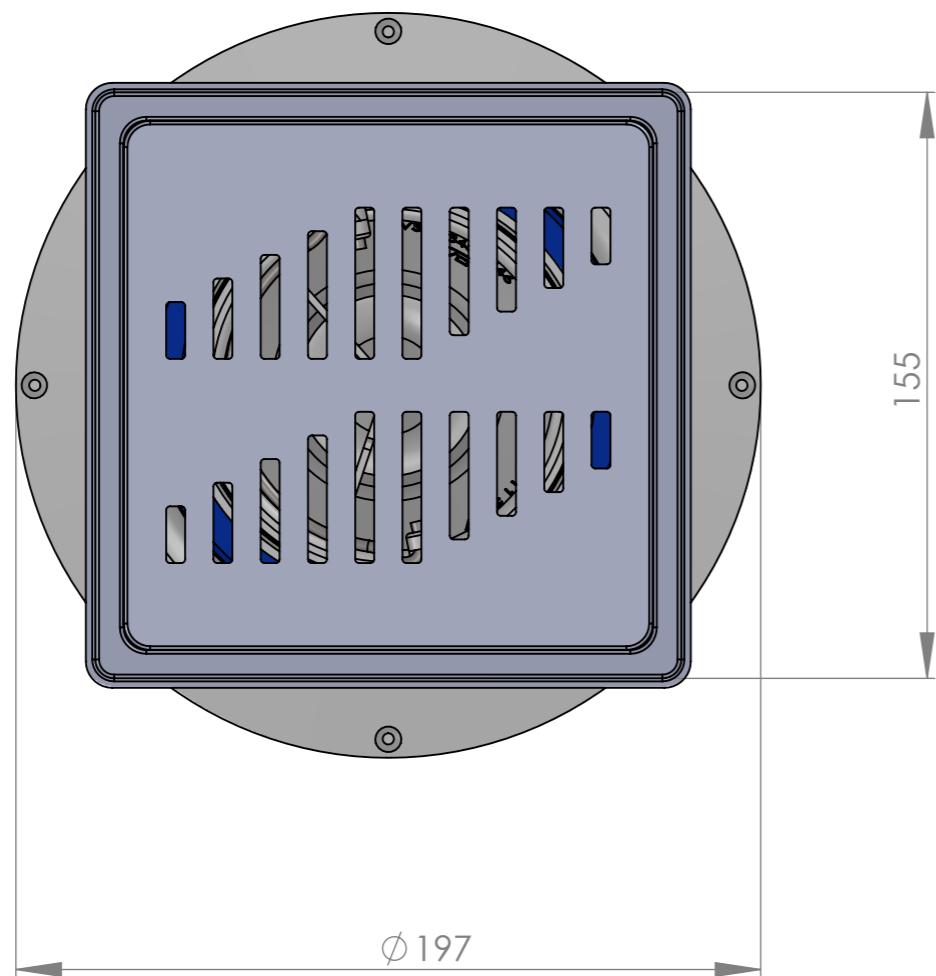
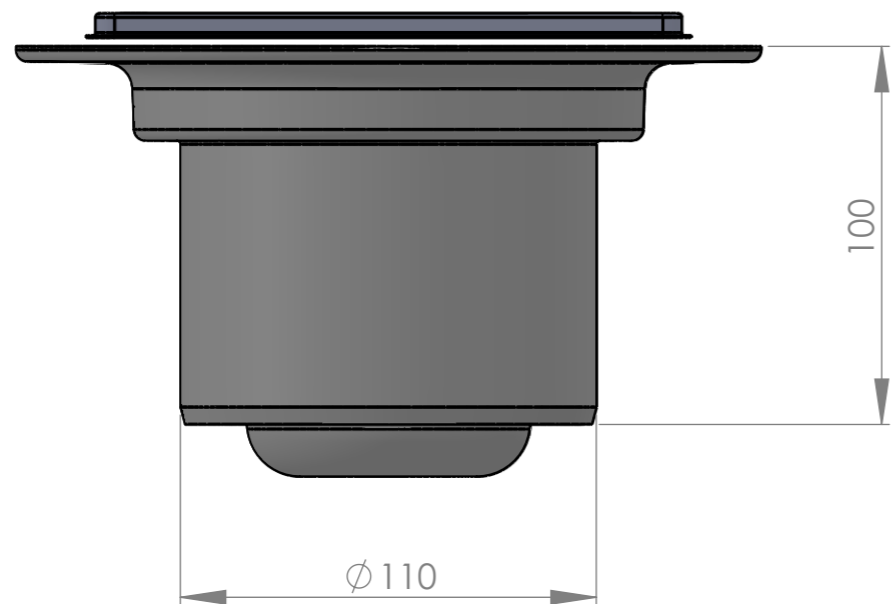



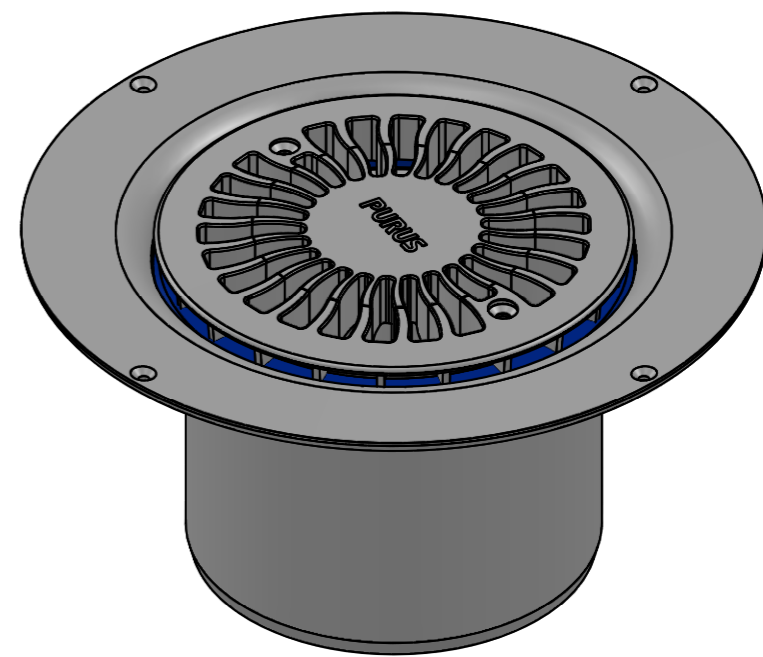
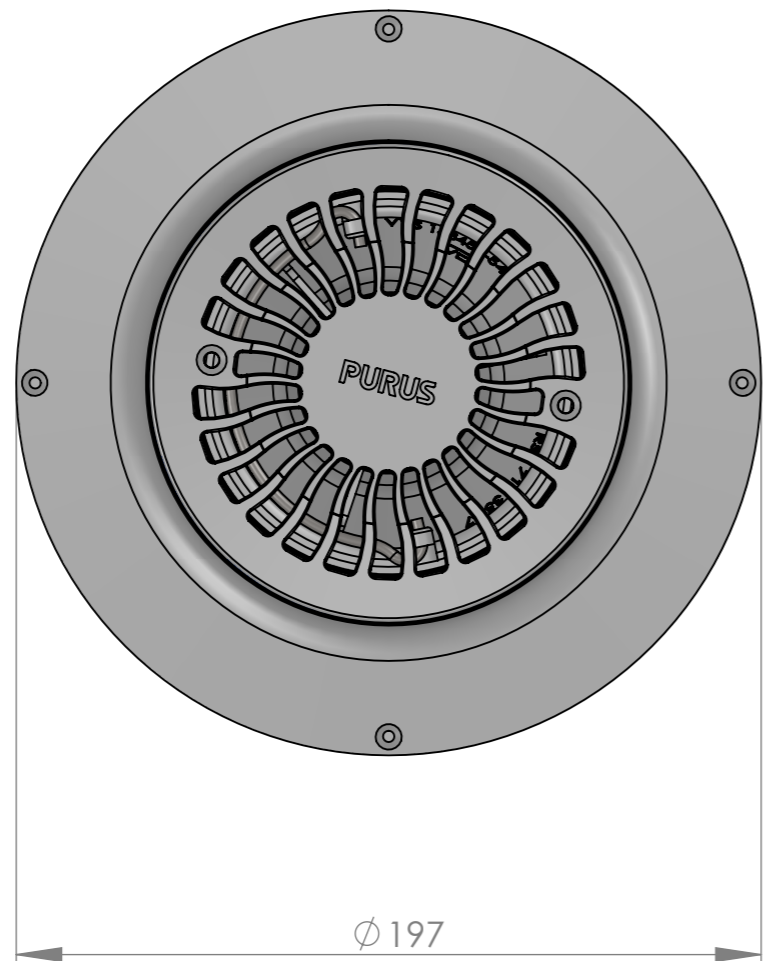
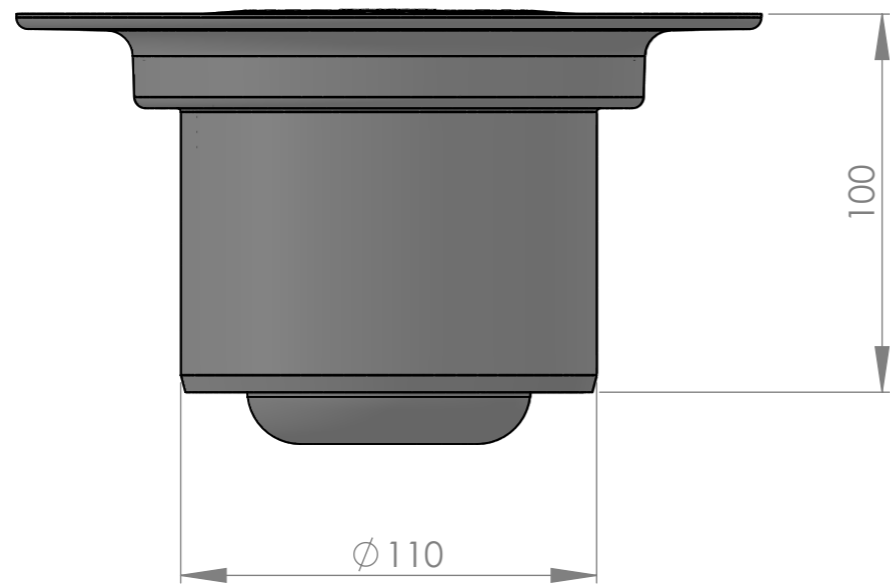
This document must not be copied without our written permission, and the contents thereof must not be imported to a third party nor be used for any unauthorized purpose. Contravention will be prosecuted. Purus AB




Denna handling får ej utan vårt medgivande kopieras. Den får ej heller delgivas annan eller ejlest obehörigen användas. Överträdelse härav beivras med stöd av gällande lag. Purus AB

Project no	Annotation	A3		Surface treatment	This drawing replace		Date	
		Scale	Page	General tolerance. ISO 2768-1	Weight (gram)	Volume (cm3)	Approved by	Date
		1:2	1(2)					
Purus AB Södra Dragongatan 15 SE 271 39 Ystad, SWEDEN Ph. +46 10 4144 900 Fax +46 10 4144 996 www.purus.se		Material		RSK no		Designer		Created date
		Name		Mini Brage 110 with PK 155		Article no		Edition
						EP		11-09-19
						Minibrage110		

This document must not be copied without our written permission, and the contents thereof must not be imported to a third party nor be used for any unauthorized purpose. Contravention will be prosecuted. Purus AB



Denna handling får ej utan vårt medgivande kopieras. Den får ej heller delgivas annan eller ejlest obehörigen användas. Överträdelse härav beivras med stöd av gällande lag. Purus AB

Project no	Annotation	Scale	Page	Surface treatment	This drawing replace	Date
		1:2	2(2)	A3		
		Material	Weight (gram)	Volume (cm3)	Approved by	Date
Purus AB Södra Dragongatan 15 SE 271 39 Ystad, SWEDEN Ph. +46 10 4144 900 Fax +46 10 4144 996 www.purus.se		RSK no			Designer	Created date
Name		Mini Brage 110 Vinyl		Article no		Edition
				Minibrage110		