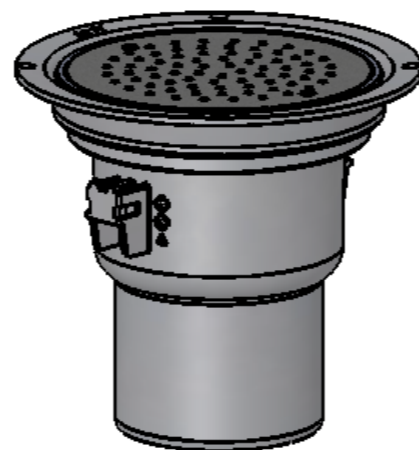
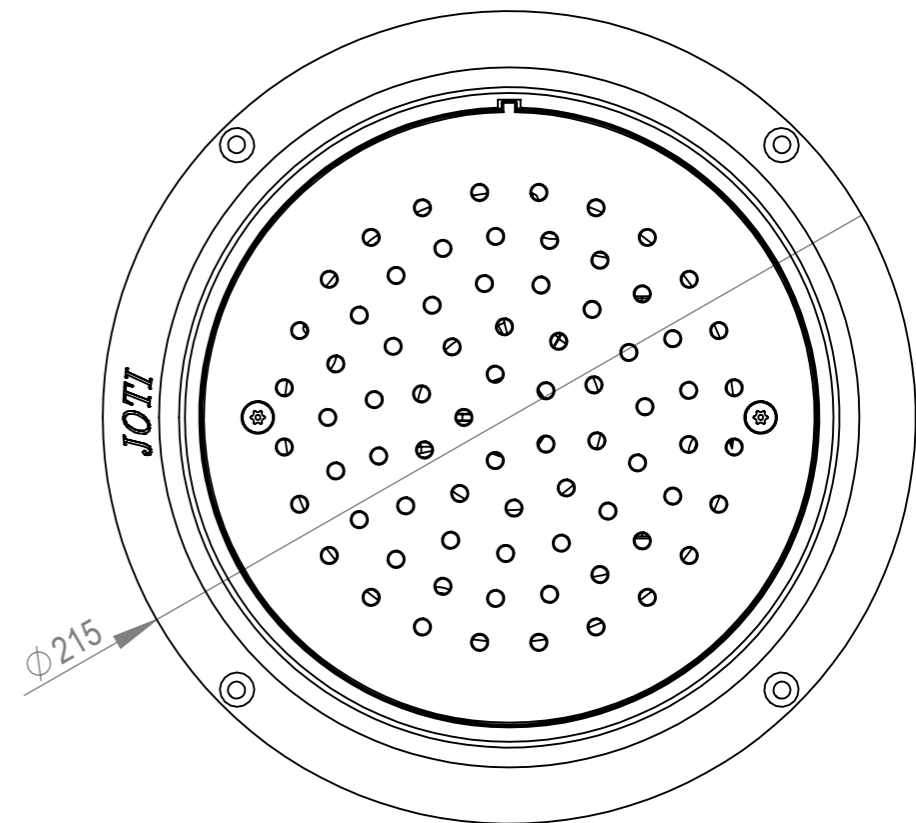
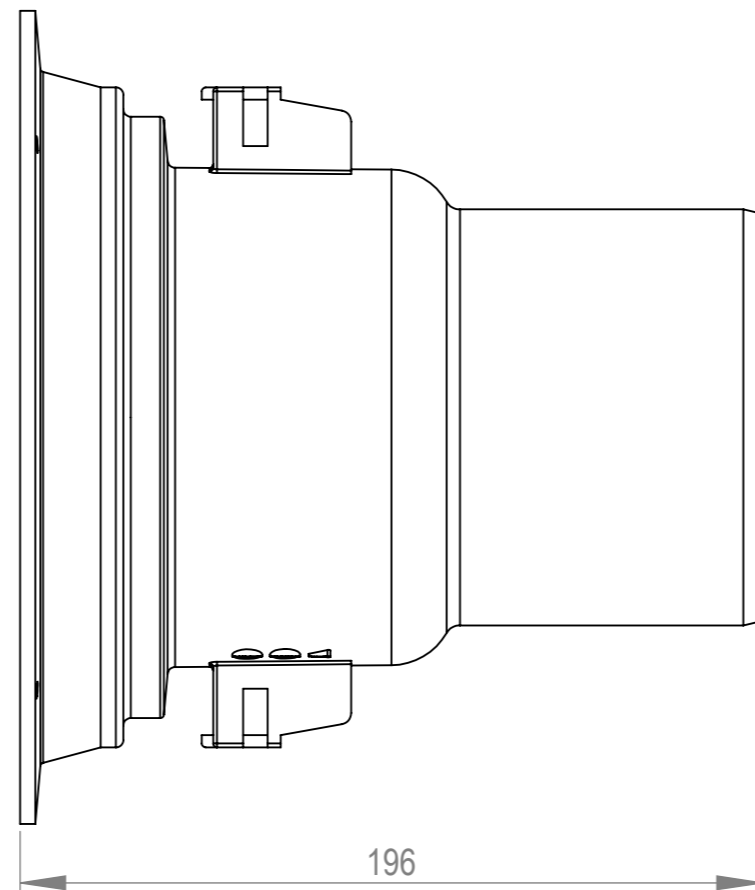
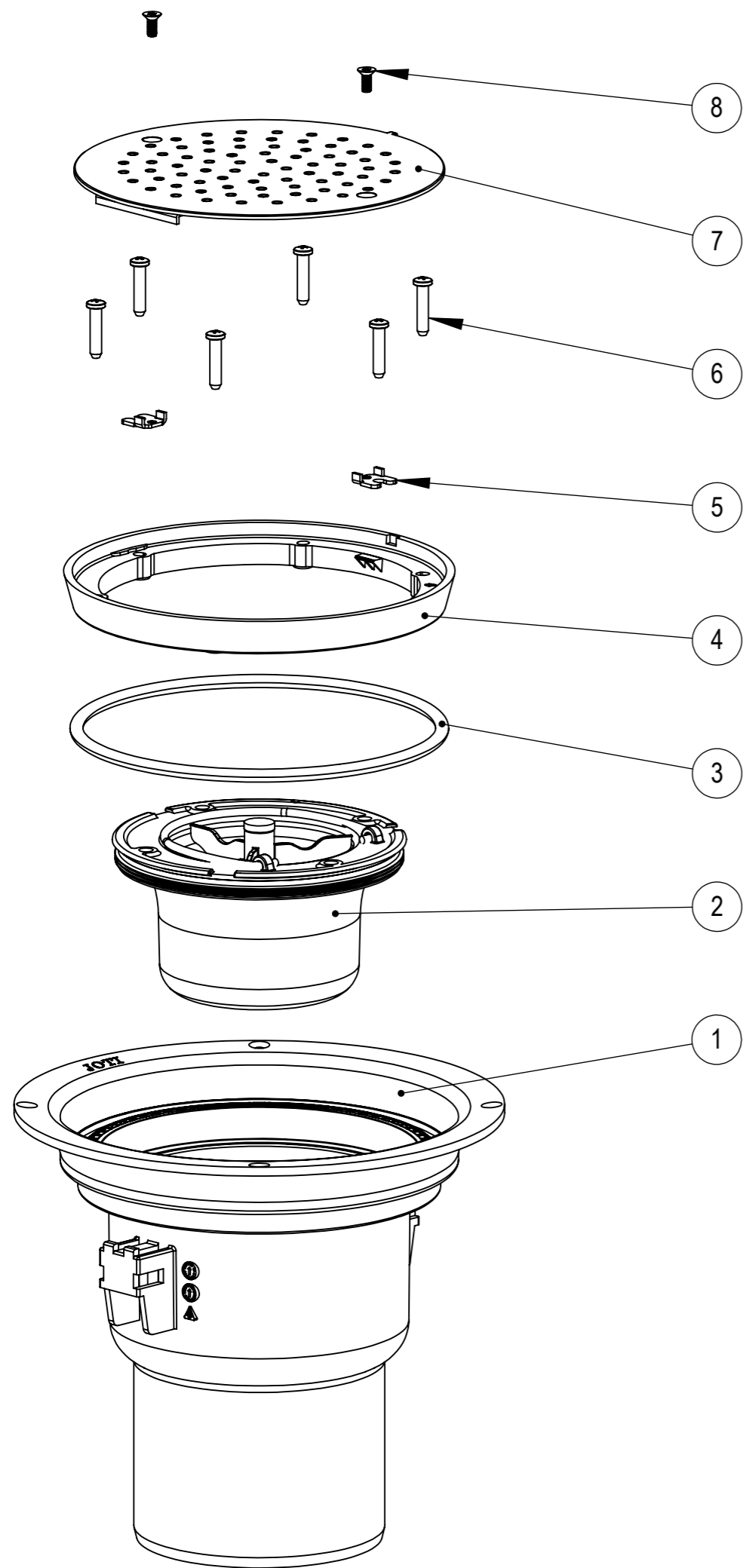


This document must not be copied without our written permission, and the contents thereof must not be imported to a third party nor be used for any unauthorized purpose. Contravention will be prosecuted. Purus AB

Denna handling får ej utan vårt medgivande kopieras. Den får ej heller delgivas annan eller ejlest obehörigen användas. Överträdelse härav beivras med stöd av gällande lag. Purus AB



Annotation		A3		This drawing replace		Replaced by		Date	
-		-		-		-		-	
<b>PURUS</b>		Scale	Page	General tolerance. ISO 2768-1		Weight (gram)		Volume (cm <sup>3</sup> )	
Purus AB Södra Dragongatan 15 SE-271 39 YSTAD, SWEDEN Ph. +46 104144900 Fax +46 104144996 www.purus.se		1:2	1(1)	-		-		-	
Material		Surface treatment		Designer		Created date			
Sammanställning		-		SwS		2012-11-22			
Name		Article no		Edition					
Security Gully Bottom 110 w/steel grate		52913_måttskiss		1					