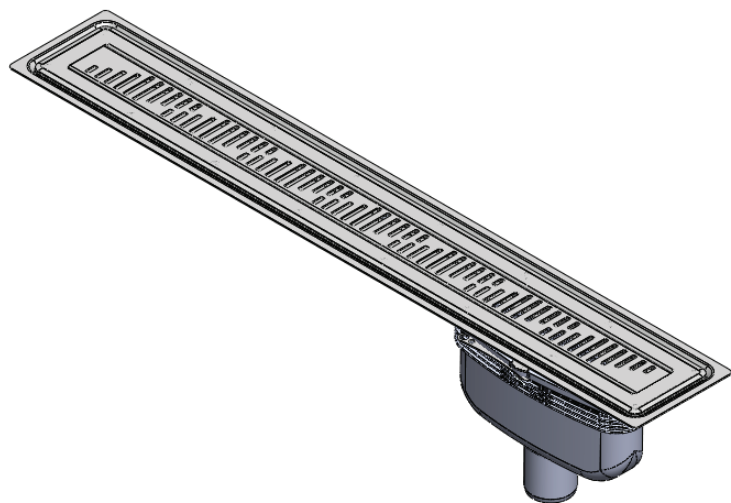
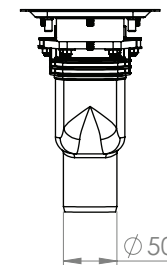
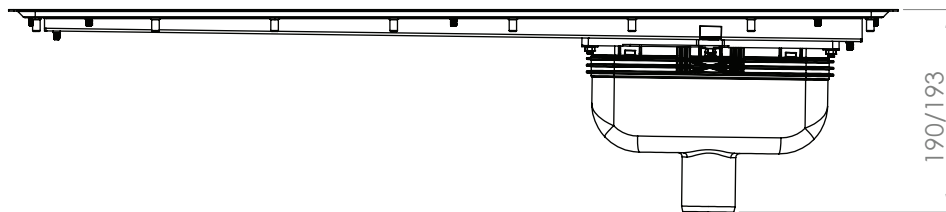
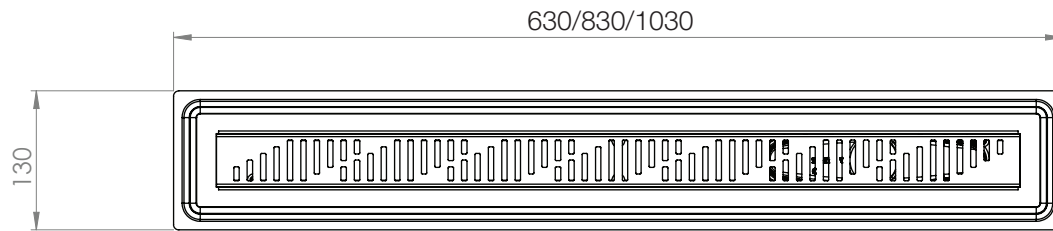


This document must not be copied without our written permission, and the contents thereof must not be imported to a third party nor be used for any unauthorized purpose. Contravention will be prosecuted. Purus AB



Den här handling får ej utan vårt medgivande kopieras. Den får ej heller delgivas annan eller eljest obehörigen användas. Överträdelse härav beivras med stöd av gällande lag. Purus AB

Annotation	-	A3	This drawing replace	Replaced by	-	Date	-					
Scale	1:5	Page	1(1)	General tolerance: ISO 2768-1	Weight (gram)	-	Volume (cm3)	-	Approved by	-	Date	-
Material	Sammanställning			Surface treatment	-	Designer	SwS	Created date	2012-10-25			
Name	Purus Line Vinyl 600, 800 and 1000; Bottom 50mm Outlet						Article no		Edition	1		

**PURUS**

Purus AB Södra Dragongatan 15  
SE-271 39 YSTAD, SWEDEN  
Ph. +46 104144900 Fax +46 104144996  
www.purus.se